

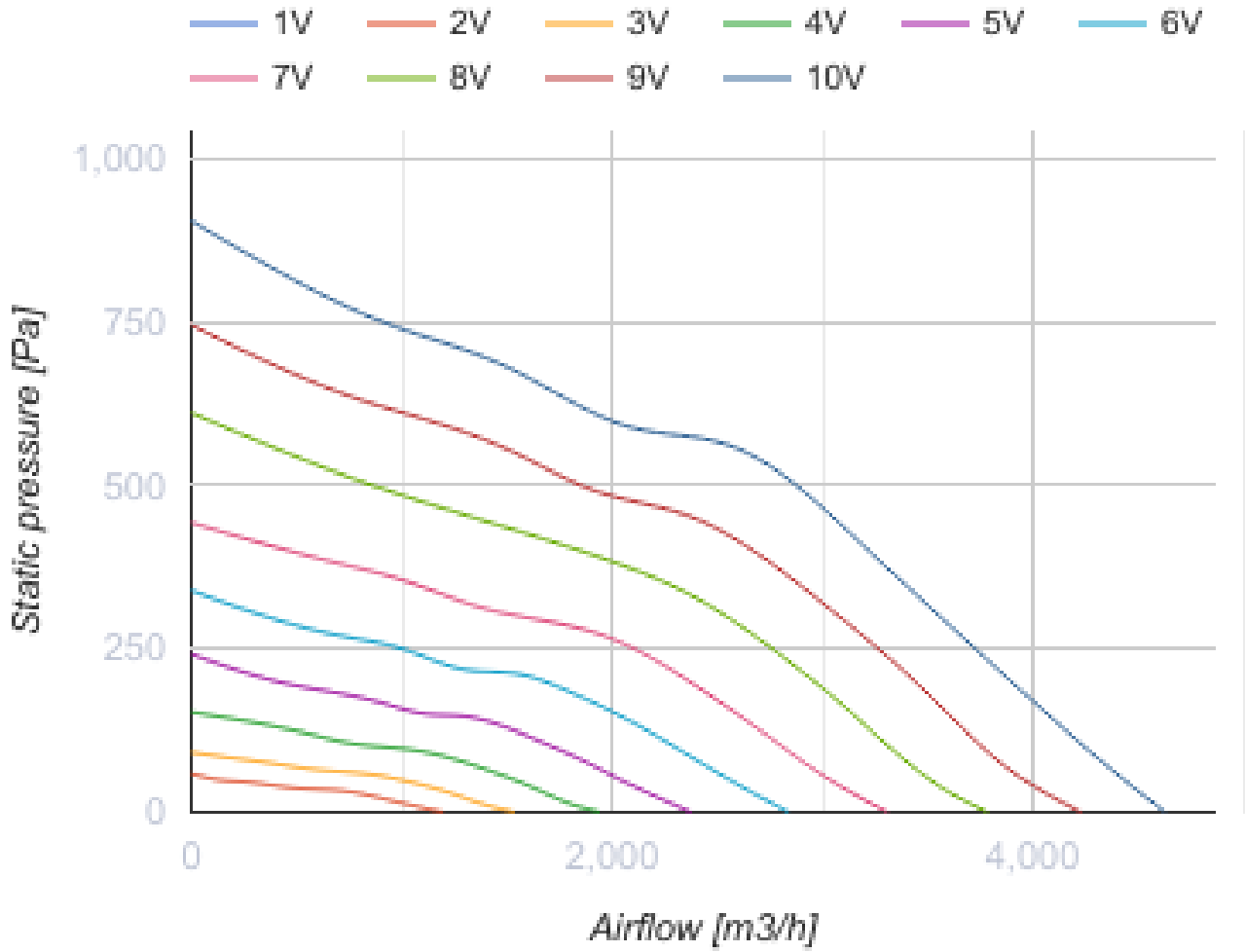
Boost 355 EC S

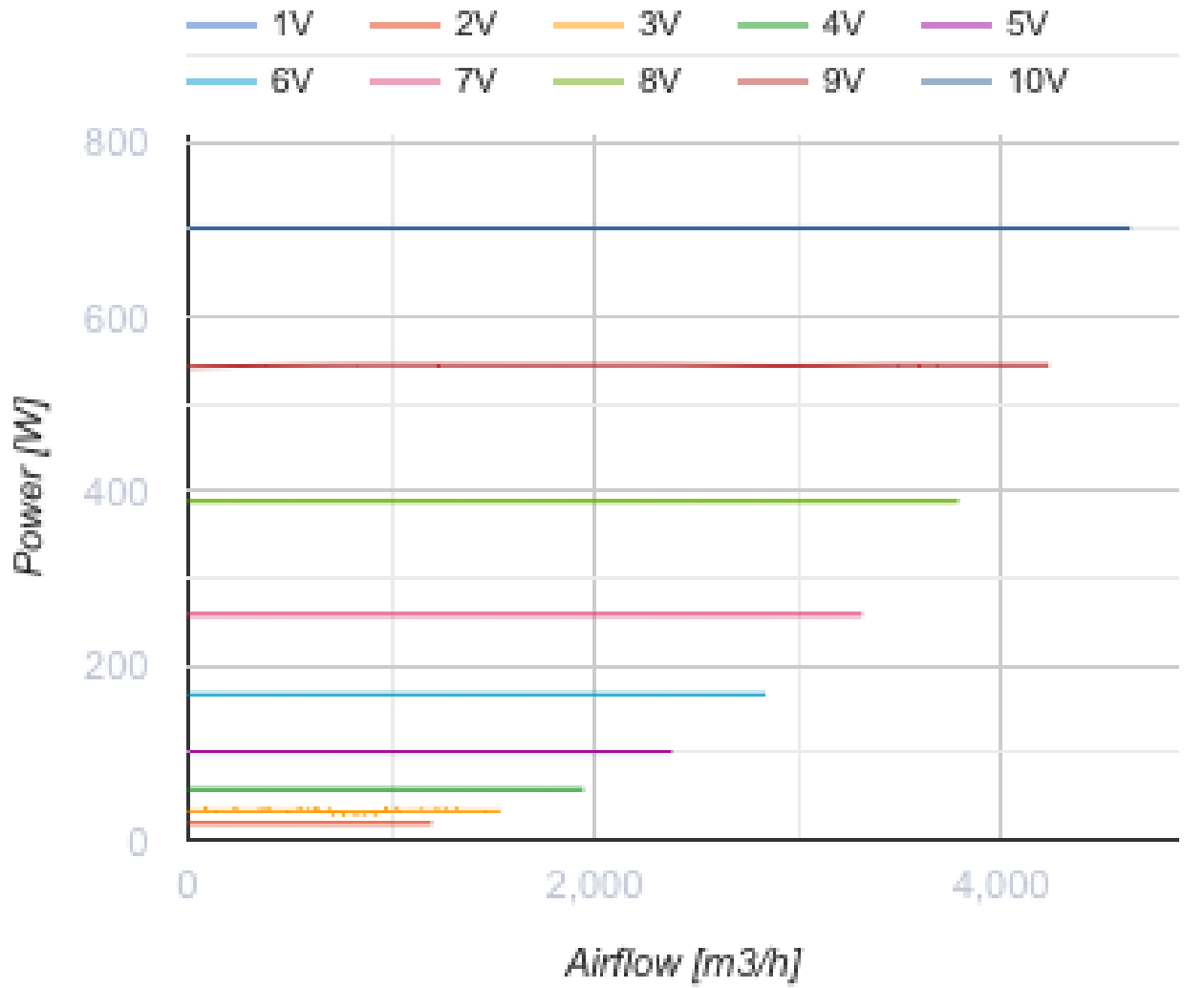


Inline fans in a polymer casing

- Maximum airflow: 4630
- Sound pressure level LpA at 3 m: 60
- Motor type: EC
- Impeller type: Mixed-flow
- Casing material: Plastic
- Installation in any position

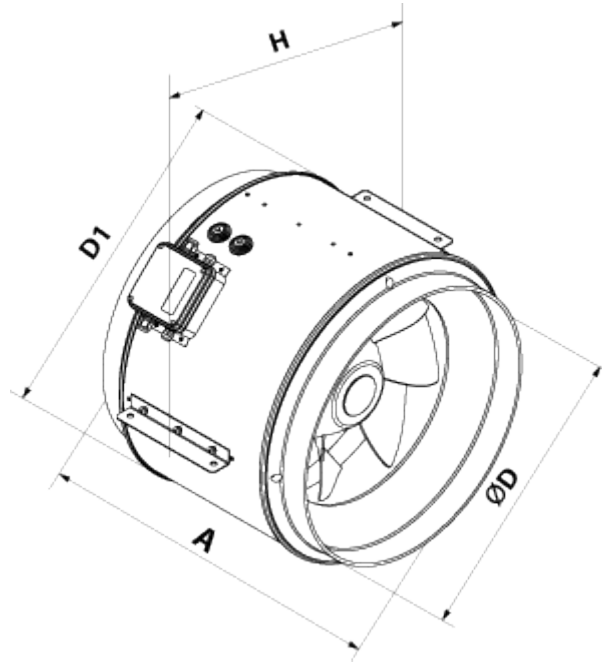
	Unit of measurement	Boost 355 EC S
Connected air duct size	mm	355
Speed	-	1
Minimum supply voltage	V	230
Maximum supply voltage	V	230
Power supply frequency	Hz	50/60
Rated power	W	701
Unit current	A	3.1
Maximum airflow	m ³ /h	4630
Sound pressure level LpA at 3 m	dB(A)	60
Transported air temperature (max)	°C	55
Transported air temperature (min)	°C	-25
Ingress protection rating	-	IPX4
Ingress protection rating of the drive	-	IP44





Dimensions

ØD	ØD1	A	H
350	390	388	450



Ecodesign

Trademark	Vents
Model	Boost 355 EC S
Type of drive installed	Integrated VSD
Type of heat recovery system	None
Nominal flow rate (m ³ /s)	0.997
Nominal external pressure (Pa)	300
Maximum external leakage rates (%)	2.7
Static efficiency (%)	47.8
Declared typology	NRVU UVU
Effective electric power input (kW)	0.701
Sound power level (dB(A))	80