

CBF LP 250 TP



Centrifugal ceiling fans

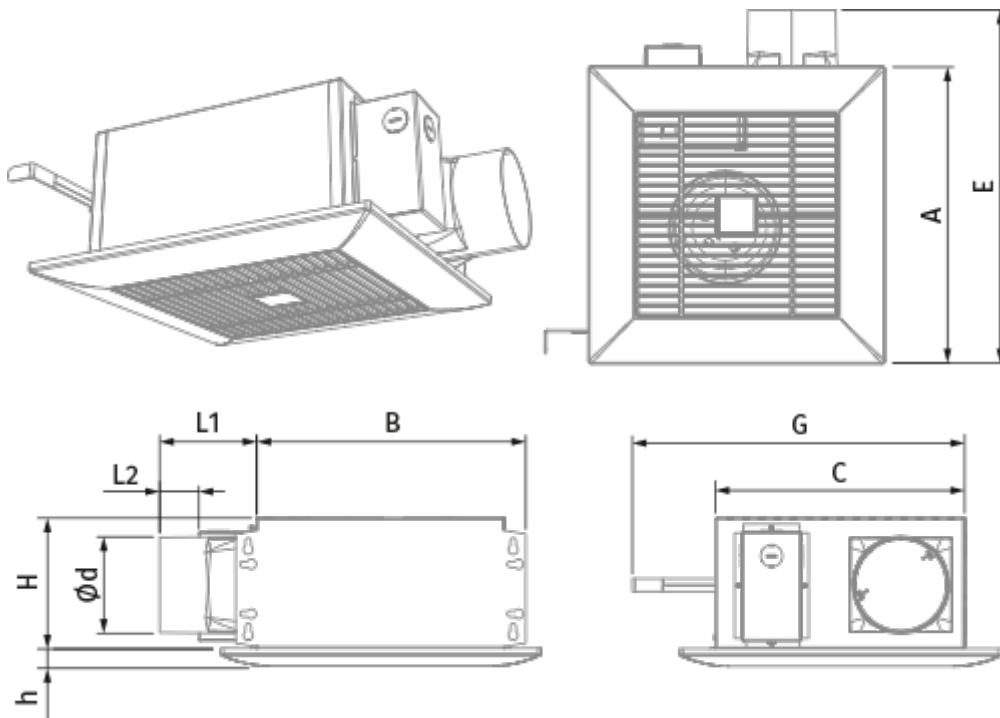
- Maximum airflow: 260
- Sound pressure level LpA at 3 m: 29
- Motor type: AC
- Control: Built-in control panel
- Casing material: Galvanized steel
- Backdraft protection: Backdraft damper
- Motion sensor
- Timer: Turn off timer, Turn on timer

	Unit of measurement	CBF LP 250 TP	
Connected air duct size	mm	100	
Phases	-	1	
Minimum supply voltage	V	220	
Maximum supply voltage	V	240	
Power supply frequency	Hz	50/60	
Rated power	W	23	29
Unit current	A	0.12	0.18
Maximum airflow	m ³ /h	170	260
Sound pressure level LpA at 3 m	dB(A)	25	29
Weight	kg	5.3	
Ambient air temperature min	°C	1	
Ambient air temperature max	°C	40	
Ingress protection rating	-	IPX4	
ErP compliance	-	2016, 2018	
Cold - Specific energy consumption (SEC)	kWh/(m ² /a)	52.4	
SEC Class Cold	-	A+	
Average - Specific energy consumption (SEC)	kWh/(m ² /a)	25.3	
SEC Class Average	-	C	
Warm - Specific energy consumption (SEC)	kWh/(m ² /a)	9.8	
SEC Class Warm	-	F	
Unit category	-	RVU	

Type of ventilation unit	-	Unidirectional
Type of drive installed	-	2-speed
Type of heat recovery system	-	None
Maximum flow rate	m ³ /h	120
Electric power input	W	36
Reference flow rate	m ³ /s	0.037
Reference pressure difference	Pa	50
Specific power input (SPI)	W/(m ³ /h)	0.159
Control typology	-	Local demand control
Maximum external leakage rates	%	2.7
Cold - The annual electricity consumption (AEC)	kWh/a	119
Average - The annual electricity consumption (AEC)	kWh/a	119
Warm - Jährlicher Stromverbrauch (JSV)	kWh/a	119
Cold - The annual heating saved (AHS)	kWh/a	5536
The annual heating saved (AHS) Average	kWh/a	2830
The annual heating saved (AHS) Warm	kWh/a	1280
Sound power level	dB(A)	48
Declared typology	-	RVU UVU

Dimensions

d	L1	L2	A	B	C	E	H	h	G
98	100	40.5	330	278	255	395	134	18	max 620





Accessories


Speed control switches

Name	Photo	Description
P2-10		Turning fan on/off and speed switching for multispeed fans


Other accessories

Name	Photo	Description
MV 102 bVs N		Supply and exhaust metal hoods
MV 102 V ASA		Supply and exhaust hoods

Flexible ducts

Name	Photo	Description
Polyvent 660		Flexible PVC film non-insulated air ducts with steel wire frame (65 µm)

Other accessories

Name	Photo	Description
CB 60-110		The clamps are designed for quick and reliable mounting and connection of various round ventilation system components. Clamps are the stainless steel quick-release clamps equipped with a stainless steel swing screw

Electrical accessories

Name	Photo	Description
TP-CBF		Motion sensor