

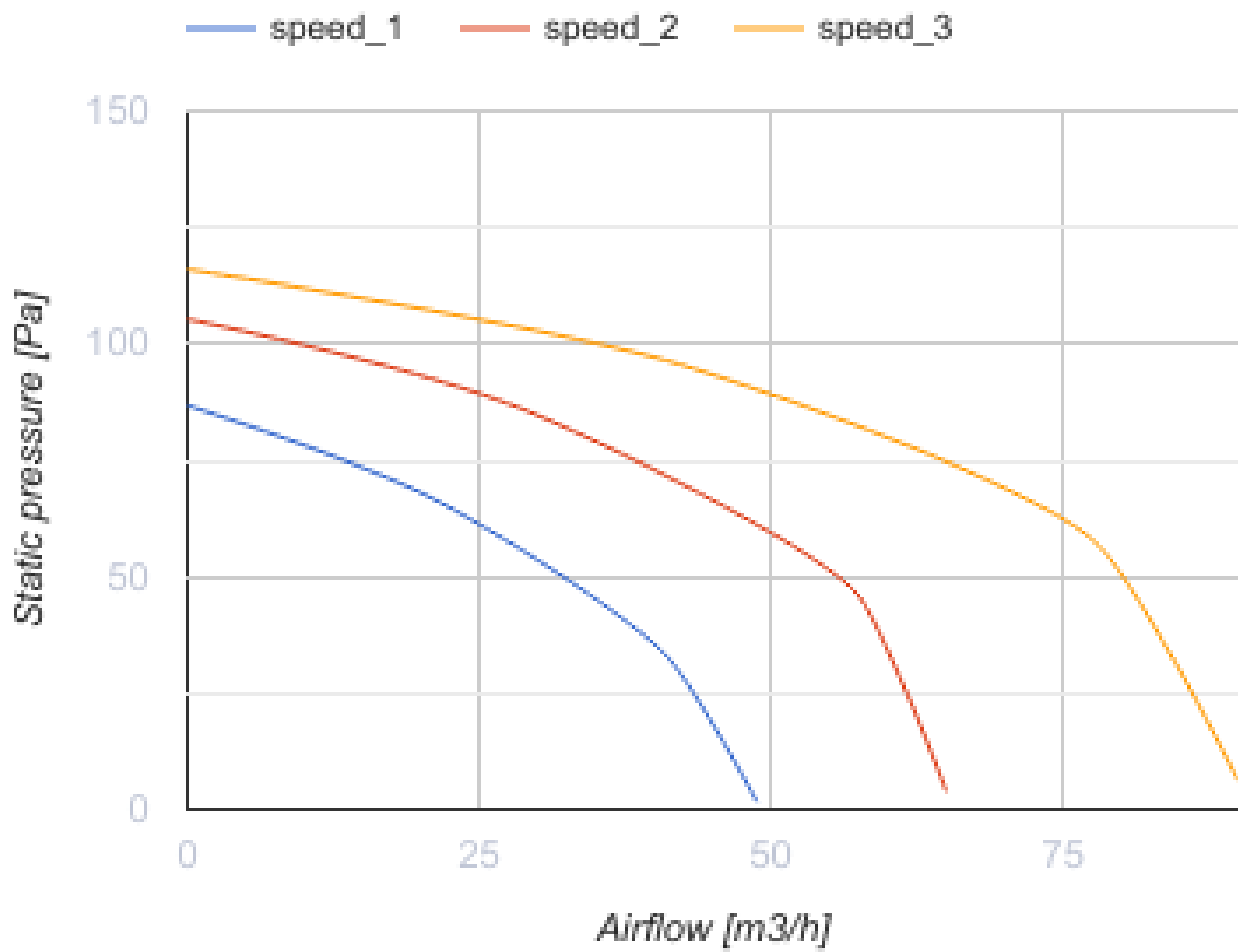
CF3 100



Centrifugal fans for exhaust ventilation

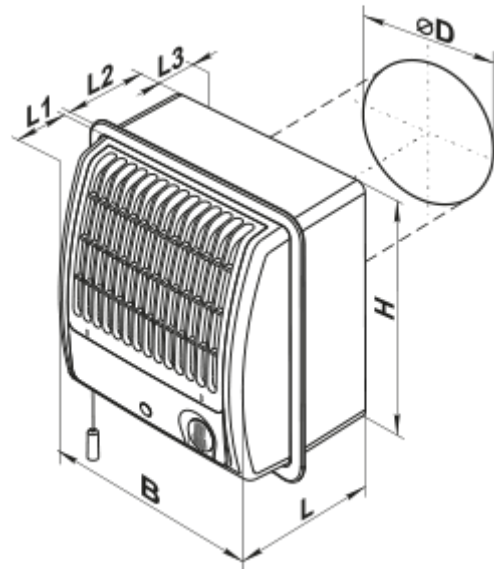
- Maximum airflow: 90
- Sound pressure level LpA at 3 m: 34
- Motor type: AC
- Casing material: Plastic

	Unit of measurement	CF3 100		
Connected air duct size	mm	100		
Speed	-	3		
Minimum supply voltage	V	220		
Maximum supply voltage	V	240		
Power supply frequency	Hz	50/60		
Rated power	W	13	17	27
Unit current	A	0.08	0.11	0.16
Maximum airflow	m ³ /h	48	65	90
Sound pressure level LpA at 3 m	dB(A)	25	31	34
Weight	kg	1.3		
Ambient air temperature min	°C	0		
Ambient air temperature max	°C	45		
Ingress protection rating	-	IP24		




Dimensions

ØD	B	H	L	L1	L2	L3
100	180	195	132	59	73	26



Accessories

Cooker Hoods

Name	Photo	Description
FO 100		The window flange applicable for all VENTS fans except for VKO, VKO1, iFan, Quiet, MAO, CF