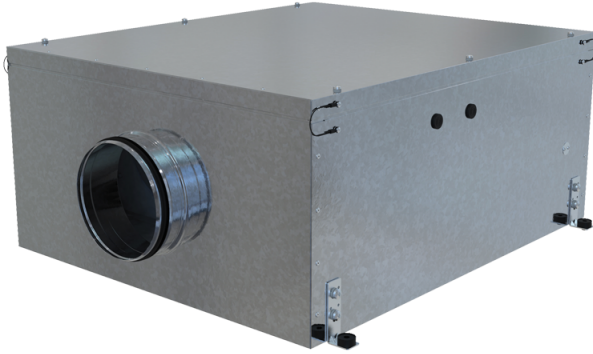


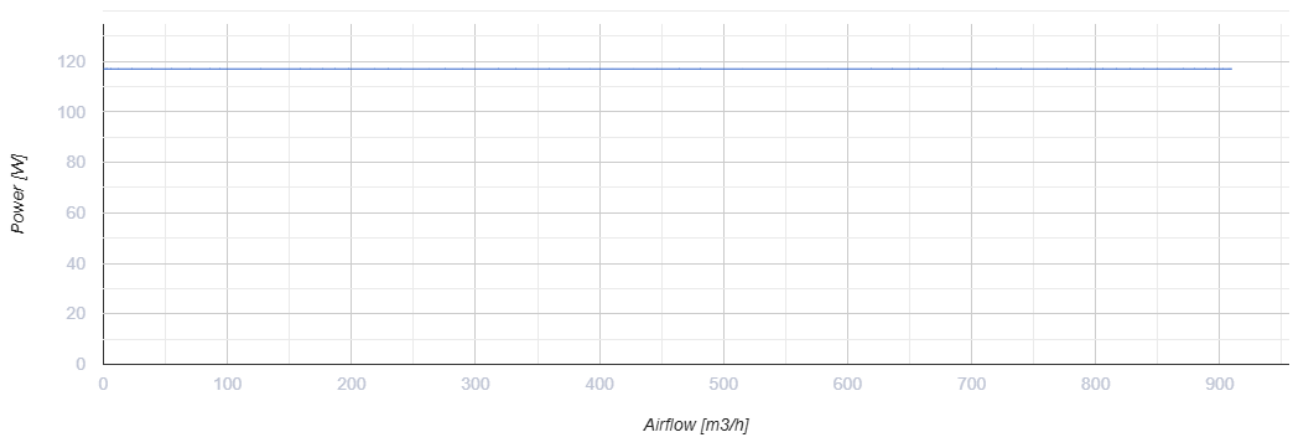
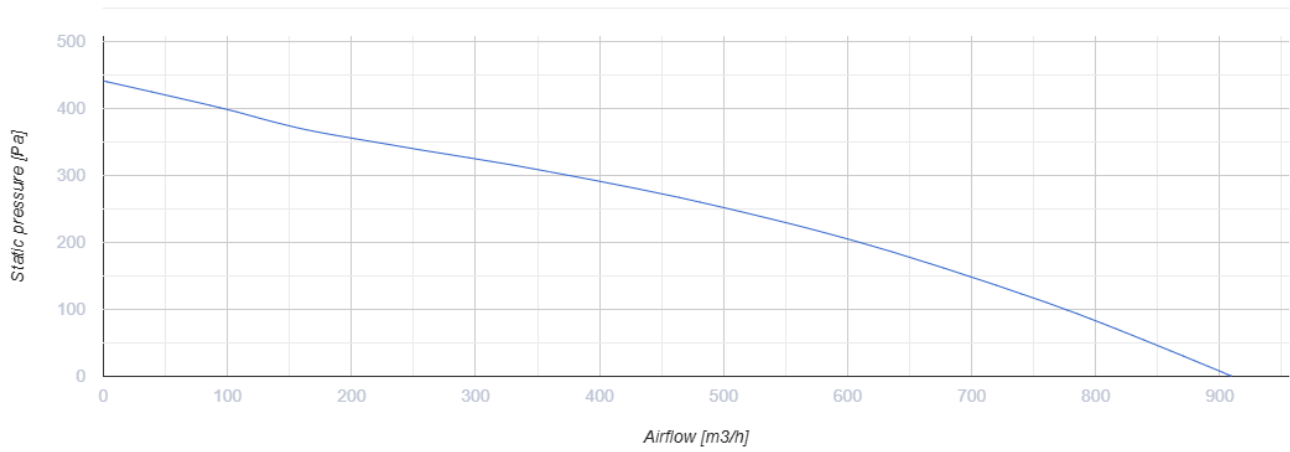
DuoVent 200 EC

Centrifugal fans in a metal casing for round air ducts

- Maximum airflow: 910
- Sound pressure level LpA at 3 m: 43
- Sound insulation
- Motor type: EC
- Impeller type: Mixed-flow
- Casing material: Galvanized steel

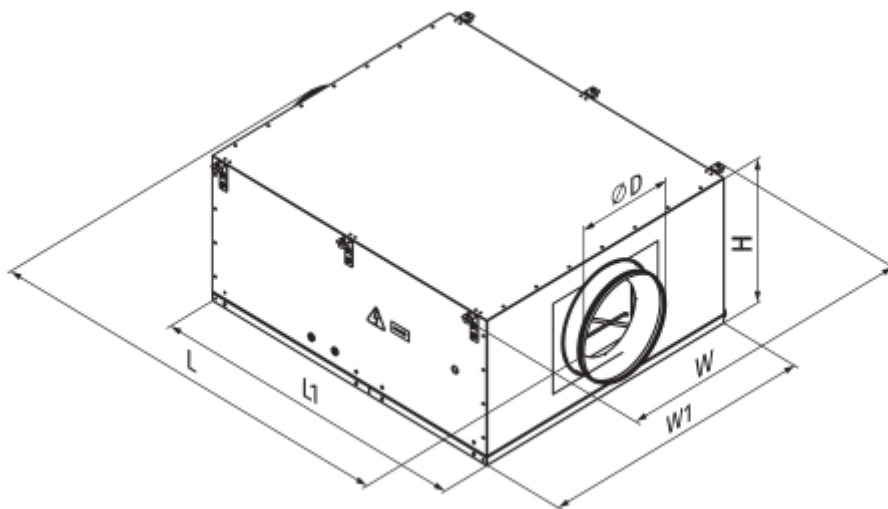


	Unit of measurement	DuoVent 200 EC
Connected air duct size	mm	200
Speed	-	1
Minimum supply voltage	V	220
Maximum supply voltage	V	240
Power supply frequency	Hz	50/60
Rated power	W	117
Unit current	A	0.94
Maximum airflow	m ³ /h	910
Sound pressure level LpA at 3 m	dB(A)	43
Weight	kg	39
Transported air temperature (max)	°C	55
Transported air temperature (min)	°C	-25
Ingress protection rating	-	IPX4
Ingress protection rating of the drive	-	IP44



Dimensions

D	L	L1	H	W	W1
199	975	850	375	791	710



Ecodesign

Trademark	Vents
Model	DuoVent 200 EC
Type of drive installed	External MSD or VSD
Type of heat recovery system	None
Nominal flow rate (m ³ /s)	0.134
Nominal external pressure (Pa)	260
Maximum external leakage rates (%)	2.7
Static efficiency (%)	30.3
Declared typology	NRVU UVU
Effective electric power input (kW)	0.117
Sound power level (dB(A))	57