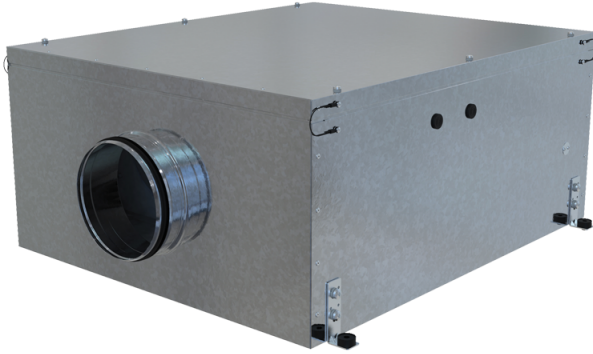


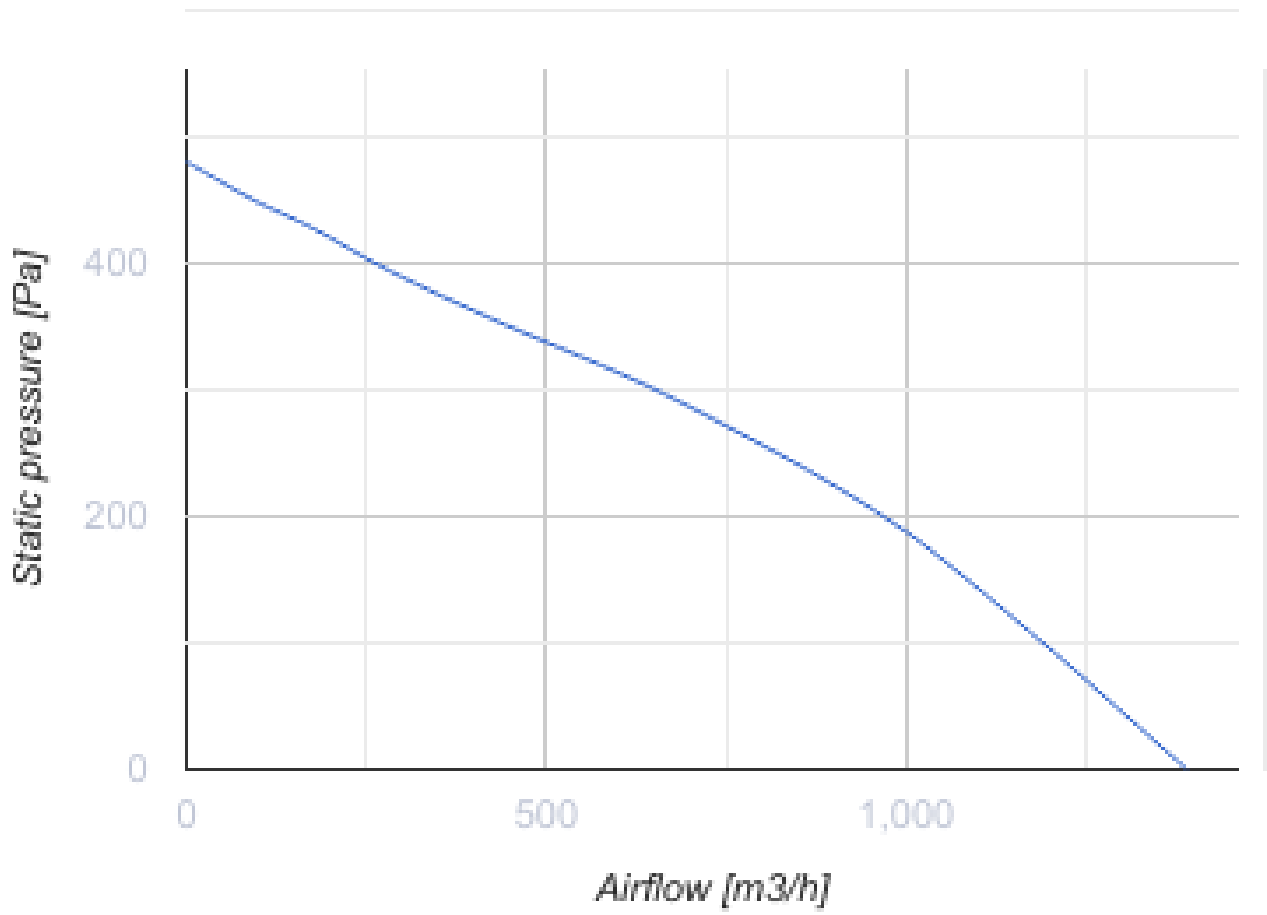
# DuoVent 250 EC

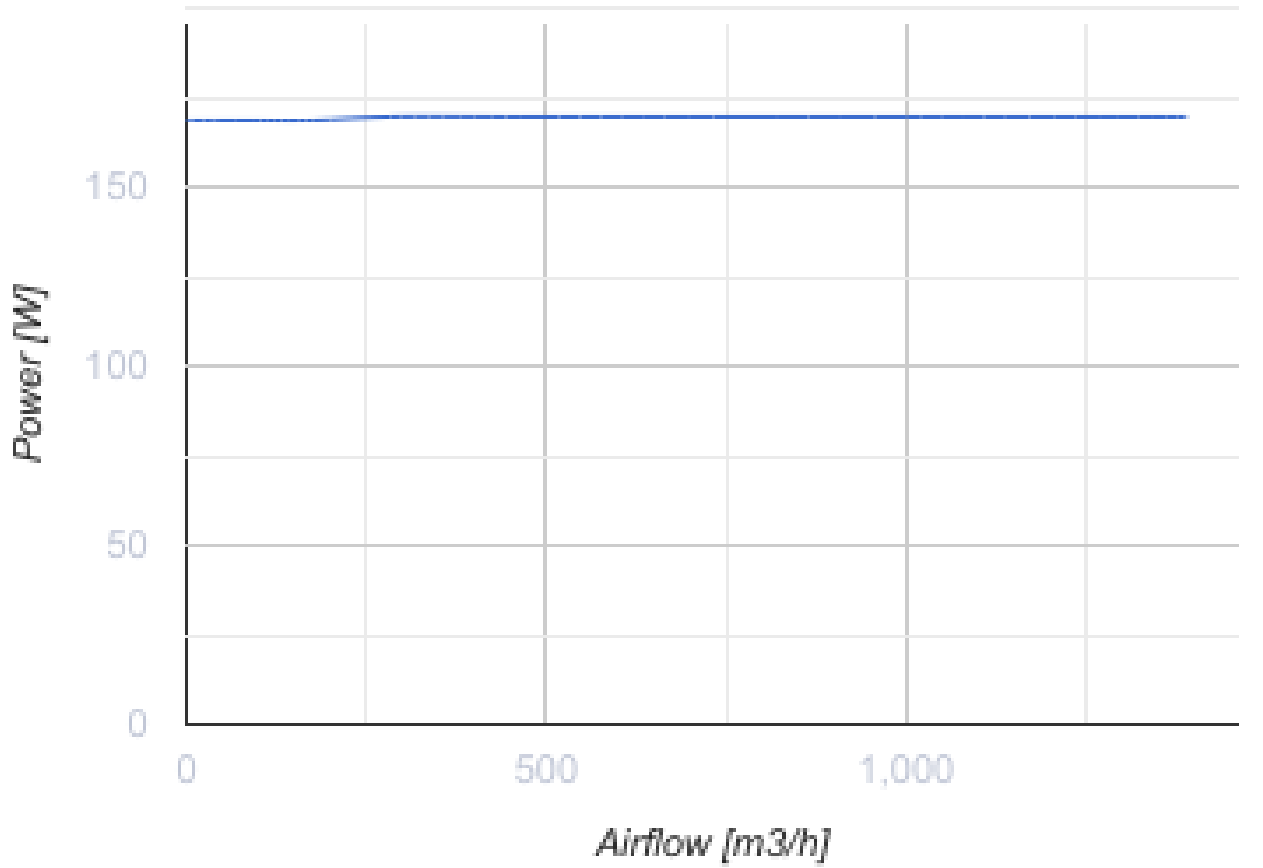
Centrifugal fans in a metal casing for round air ducts

- Maximum airflow: 1390
- Sound pressure level LpA at 3 m: 49
- Sound insulation
- Motor type: EC
- Impeller type: Mixed-flow
- Casing material: Galvanized steel



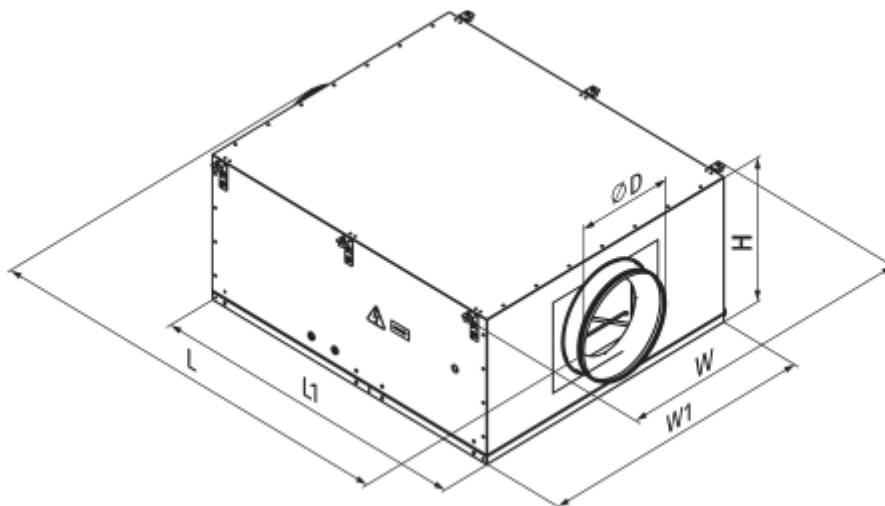
	Unit of measurement	DuoVent 250 EC
Connected air duct size	mm	250
Speed	-	1
Minimum supply voltage	V	220
Maximum supply voltage	V	240
Power supply frequency	Hz	50/60
Rated power	W	170
Unit current	A	1.29
Maximum airflow	m <sup>3</sup> /h	1390
Sound pressure level LpA at 3 m	dB(A)	49
Weight	kg	47
Transported air temperature (max)	°C	55
Transported air temperature (min)	°C	-25
Ingress protection rating	-	IPX4
Ingress protection rating of the drive	-	IP54





### Dimensions

D	L	L1	H	W	W1
249	1062	939	417	887	806



## Ecodesign

Trademark	Vents
Model	DuoVent 250 EC
Type of drive installed	External MSD or VSD
Type of heat recovery system	None
Nominal flow rate (m <sup>3</sup> /s)	0.277
Nominal external pressure (Pa)	188
Maximum external leakage rates (%)	2.7
Static efficiency (%)	47.4
Declared typology	NRVU UVU
Effective electric power input (kW)	0.17
Sound power level (dB(A))	64