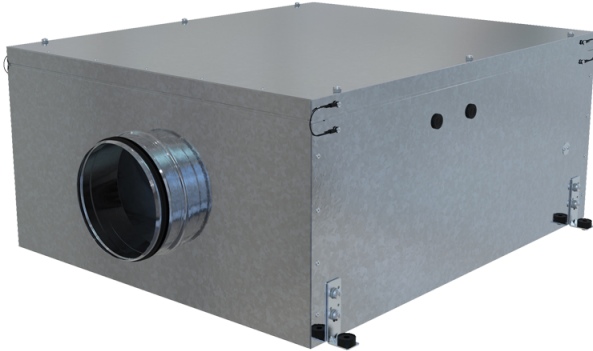


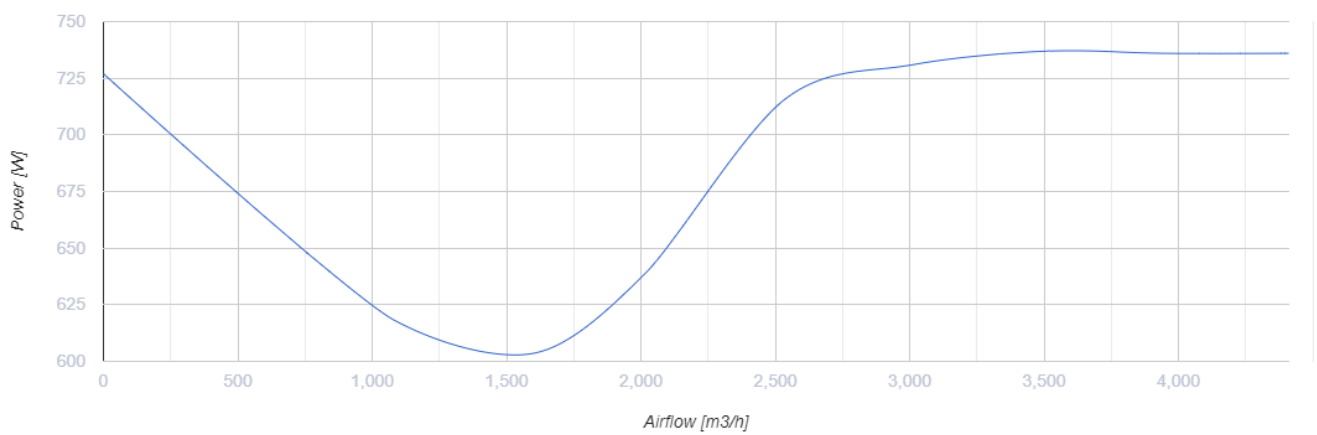
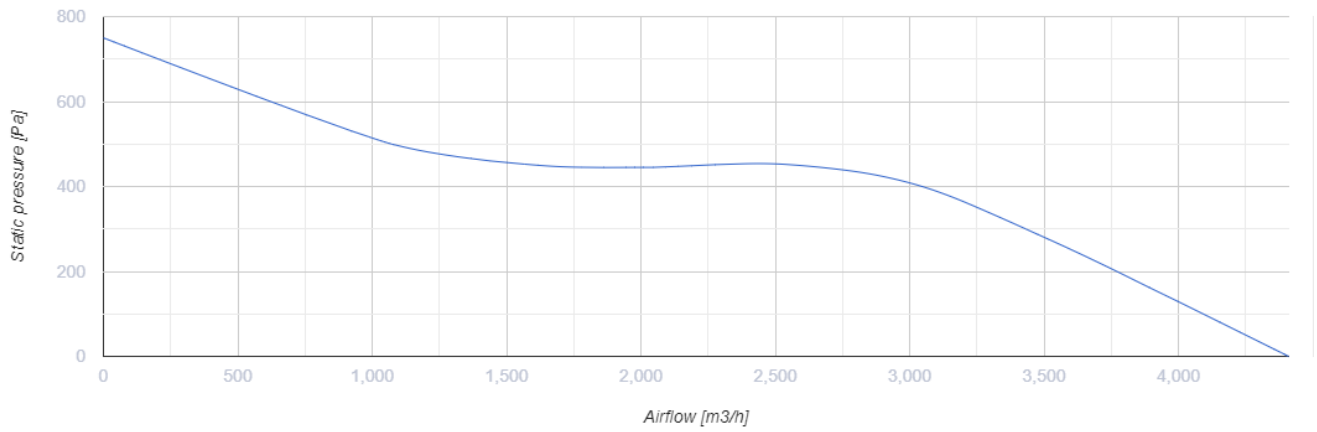
DuoVent 400 EC

Centrifugal fans in a metal casing for round air ducts

- Maximum airflow: 4410
- Sound pressure level LpA at 3 m: 48
- Sound insulation
- Motor type: EC
- Impeller type: Mixed
- Casing material: Galvanized steel

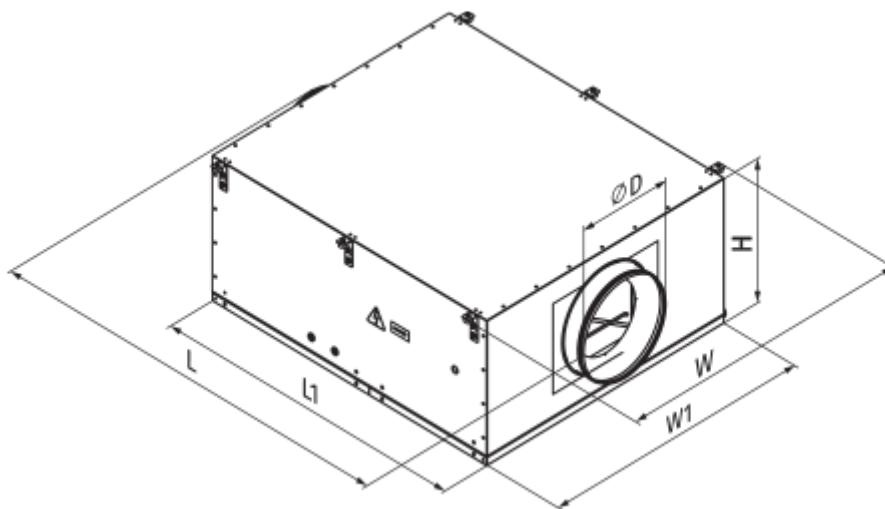


	Unit of measurement	DuoVent 400 EC
Connected air duct size	mm	400
Speed	-	1
Minimum supply voltage	V	220
Maximum supply voltage	V	240
Power supply frequency	Hz	50/60
Rated power	W	737
Unit current	A	4.65
Maximum airflow	m ³ /h	4410
Sound pressure level LpA at 3 m	dB(A)	48
Weight	kg	129
Transported air temperature (max)	°C	55
Transported air temperature (min)	°C	-25
Ingress protection rating	-	IPX4
Ingress protection rating of the drive	-	IP44



Dimensions

D	L	L1	H	W	W1
399	1358	1194	551	1182	1101



Ecodesign

Trademark	Vents
Model	DuoVent 400 EC
Type of drive installed	External MSD or VSD
Type of heat recovery system	None
Nominal flow rate (m ³ /s)	0.837
Nominal external pressure (Pa)	406
Maximum external leakage rates (%)	2.7
Static efficiency (%)	47.4
Effective electric power input (kW)	0.731
Sound power level (dB(A))	80
Declared typology	NRVU UVU