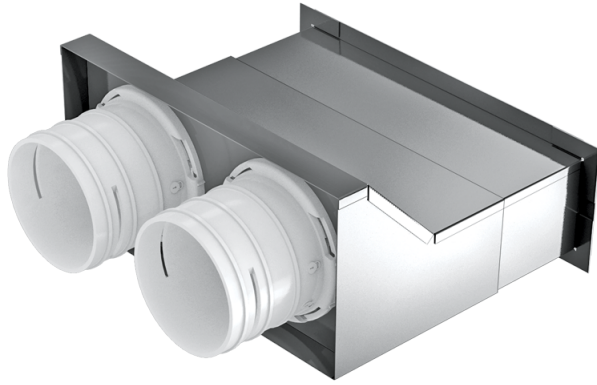


FlexiVent

0832200x55/75x2

For supply and exhaust systems in residential premises. Connecting the ventilation grille to \varnothing 75 mm ducts

- Casing material: Metal



	Unit of measurement	FlexiVent 0832200x55/75x2
Connected air duct size	mm	75

Dimensions

\varnothing D	H	H1	L	W
84	112	75	204	177

