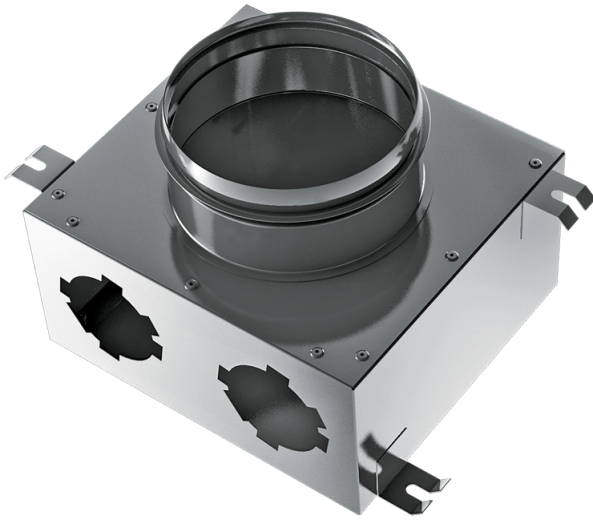


# FlexiVent 1001125/63x2

Supply or exhaust ventilation systems of residential spaces. For distribution of air from the ventilation unit through the air ducts

- Casing material: Aluzinc



	Unit of measurement	FlexiVent 1001125/63x2
Connected air duct size	mm	63

## Dimensions

$\varnothing D$	$\varnothing D1$	H	L	W
55	124	100	196	178

