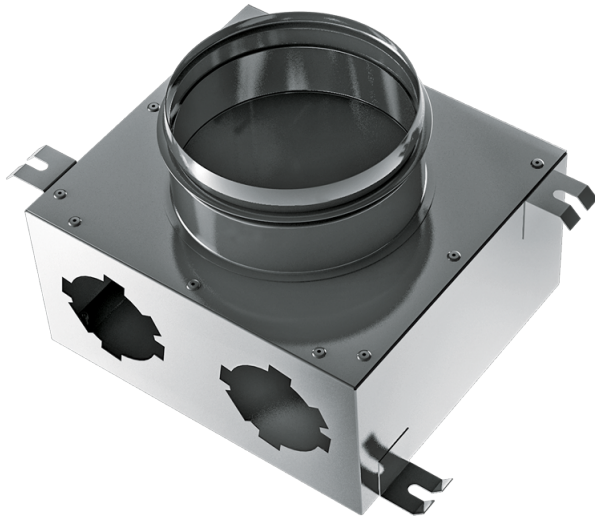


FlexiVent 1001125/75x2

Supply or exhaust ventilation systems of residential spaces. For distribution of air from the ventilation unit through the air ducts

- Casing material: Aluzinc



	Unit of measurement	FlexiVent 1001125/75x2
Connected air duct size	mm	75

Dimensions

$\varnothing D$	$\varnothing D1$	H	L	W
67	124	100	196	178

