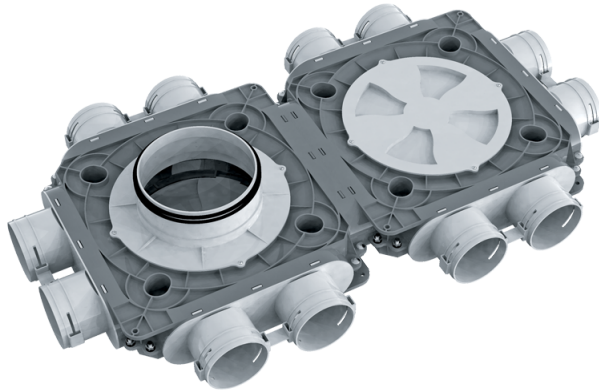


# FlexiVent

## 1050150/90x12

Supply or exhaust ventilation systems of residential spaces. For distribution of air from the ventilation unit through the air ducts

- Casing material: Polypropylene



	Unit of measurement	FlexiVent 1050150/90x12
Connected air duct size	mm	90
Ambient air temperature min	°C	-20
Ambient air temperature max	°C	60

### Dimensions

Ø d	H	L	W
138	140	845	496

