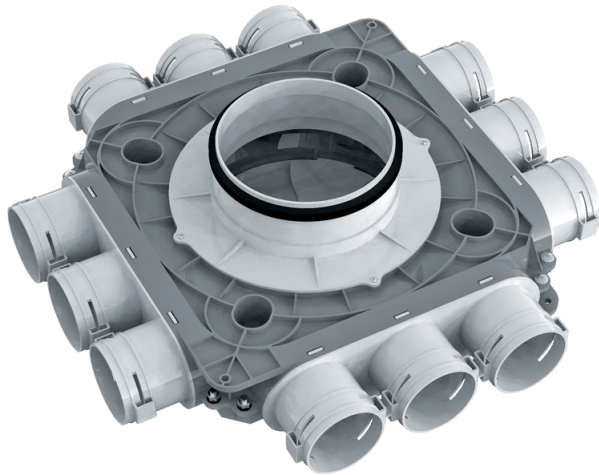


FlexiVent

1054200/75x12

Supply or exhaust ventilation systems of residential spaces. For distribution of air from the ventilation unit through the air ducts

- Casing material: Polypropylene



| | Unit of measurement | FlexiVent 1054200/75x12 |
|-----------------------------|---------------------|-------------------------|
| Connected air duct size | mm | 75 |
| Ambient air temperature min | °C | -20 |
| Ambient air temperature max | °C | 60 |

Dimensions

| $\varnothing d$ | H | L |
|-----------------|-----|-----|
| 188 | 140 | 468 |

