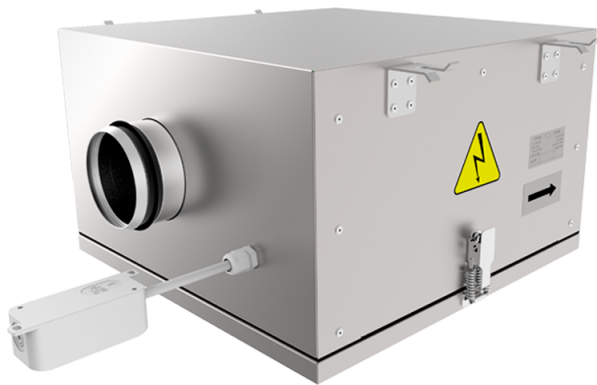


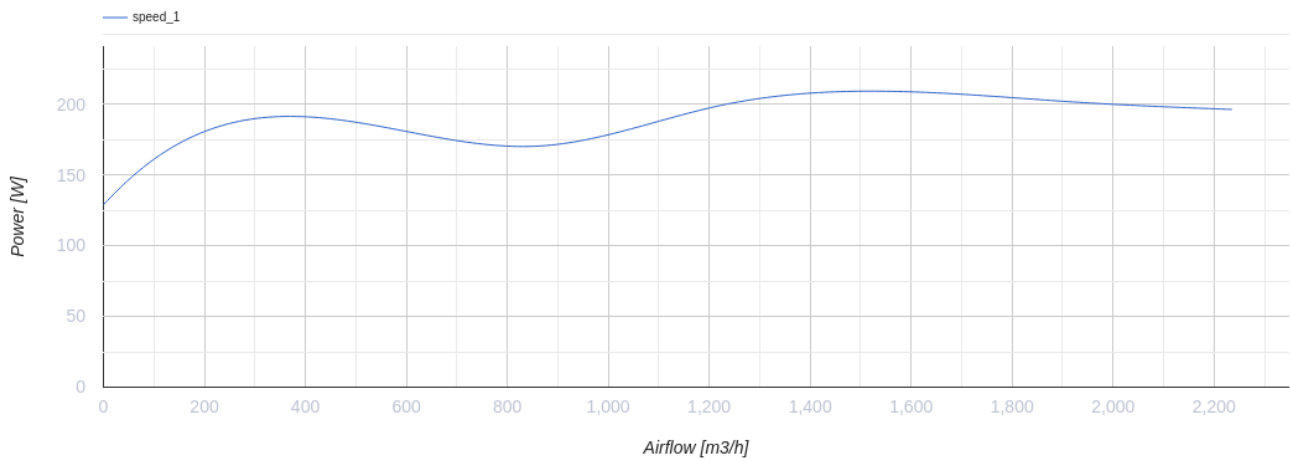
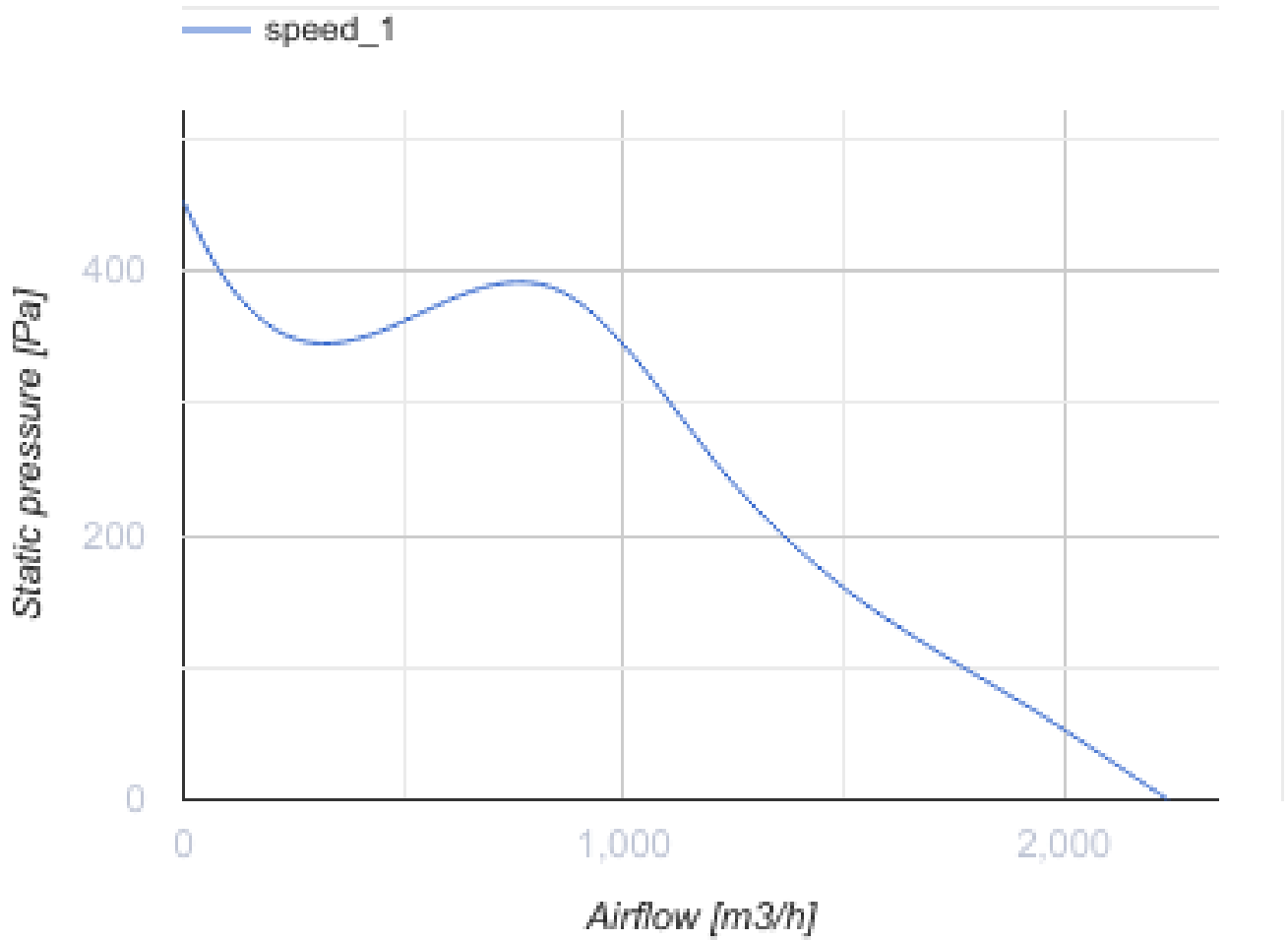
# KSB 355 K2



Centrifugal inline fans with backward curved blades in cases with improved sound insulation properties

- Maximum airflow: 2235
- Sound pressure level LpA at 3 m: 48
- Sound insulation
- Motor type: AC
- Impeller type: Centrifugal backward curved blades
- Casing material: Polypropylene/Thermoplastic elastomer
- Installation in any position

	Unit of measurement	KSB 355 K2
Connected air duct size	mm	355
Speed	-	1
Phases	-	1
Minimum supply voltage	V	230
Maximum supply voltage	V	230
Power supply frequency	Hz	50
Rated power	W	202
Unit current	A	0.89
Maximum airflow	m <sup>3</sup> /h	2235
rotation speed at 50hz	-	1330
Sound pressure level LpA at 3 m	dB(A)	48
Weight	kg	58
Transported air temperature (max)	°C	55
Transported air temperature (min)	°C	-25
Ingress protection rating	-	IPX4
Ingress protection rating of the drive	-	IP44



## Dimensions

ØD	B	B1	H	L	L1	L2
354	830	641	500	927	885	804



## Ecodesign

Trademark	Vents
Model	KSB 355 K2
Type of drive installed	External MSD or VSD
Type of heat recovery system	None
Nominal flow rate (m <sup>3</sup> /s)	0.239
Nominal external pressure (Pa)	384
Maximum external leakage rates (%)	2.7
Static efficiency (%)	54.9
Declared typology	NRVU UVU
Effective electric power input (kW)	0.171
Sound power level (dB(A))	68