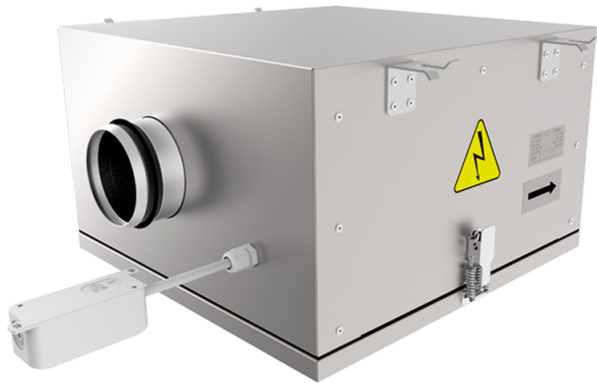


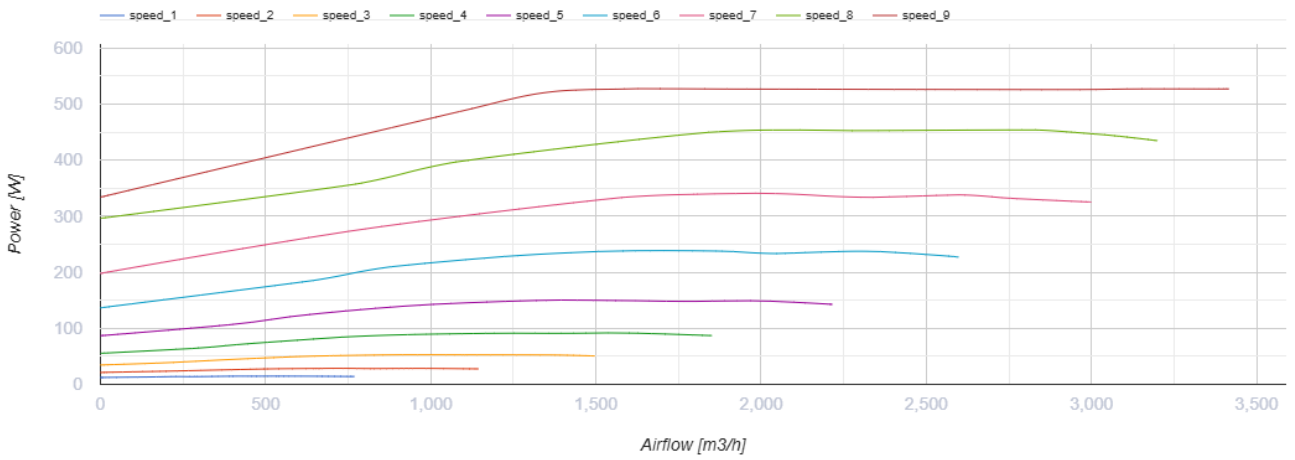
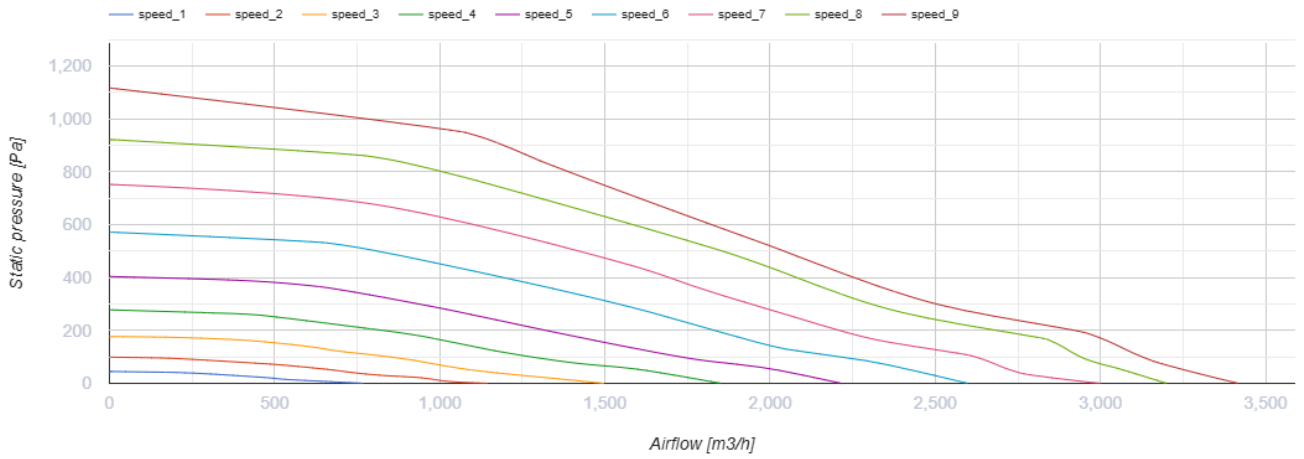
KSB 355 K2 EC



Centrifugal inline fans with backward curved blades in cases with improved sound insulation properties with EC-motors

- Maximum airflow: 3417
- Sound pressure level LpA at 3 m: 50
- Sound insulation
- Motor type: EC
- Impeller type: Centrifugal backward curved blades
- Casing material: Polypropylene/Thermoplastic elastomer
- Installation in any position

	Unit of measurement	KSB 355 K2 EC
Connected air duct size	mm	355
Speed	-	1
Minimum supply voltage	V	200
Maximum supply voltage	V	277
Power supply frequency	Hz	50/60
Rated power	W	527
Unit current	A	2.31
Maximum airflow	m ³ /h	3417
Sound pressure level LpA at 3 m	dB(A)	50
Weight	kg	47
Transported air temperature (max)	°C	55
Transported air temperature (min)	°C	-25
Ingress protection rating	-	IPX4
Ingress protection rating of the drive	-	IP54



Dimensions

ØD	B	B1	B2	H	L1	L2
354	807	600	904	505	818	737

