

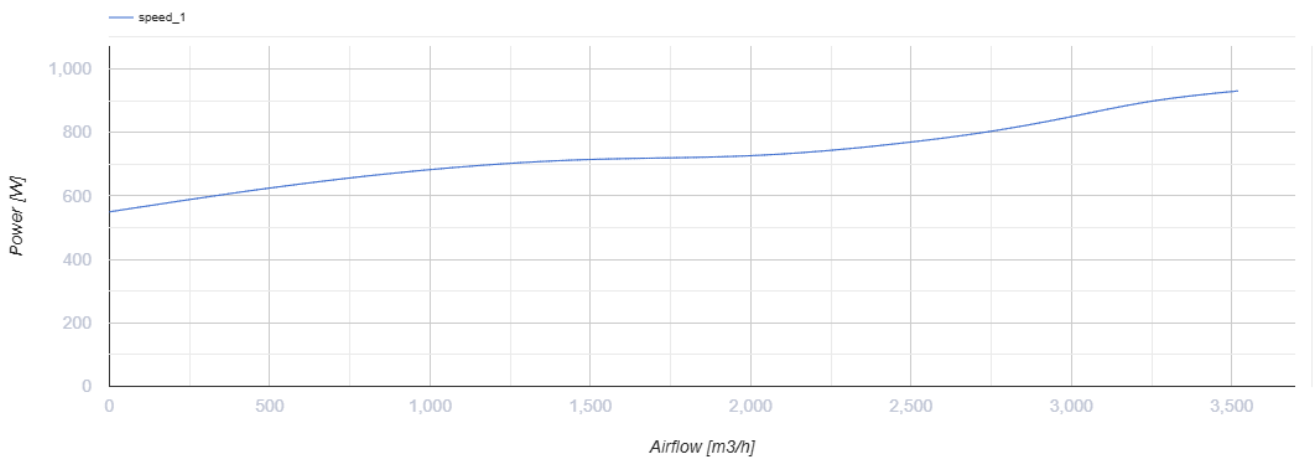
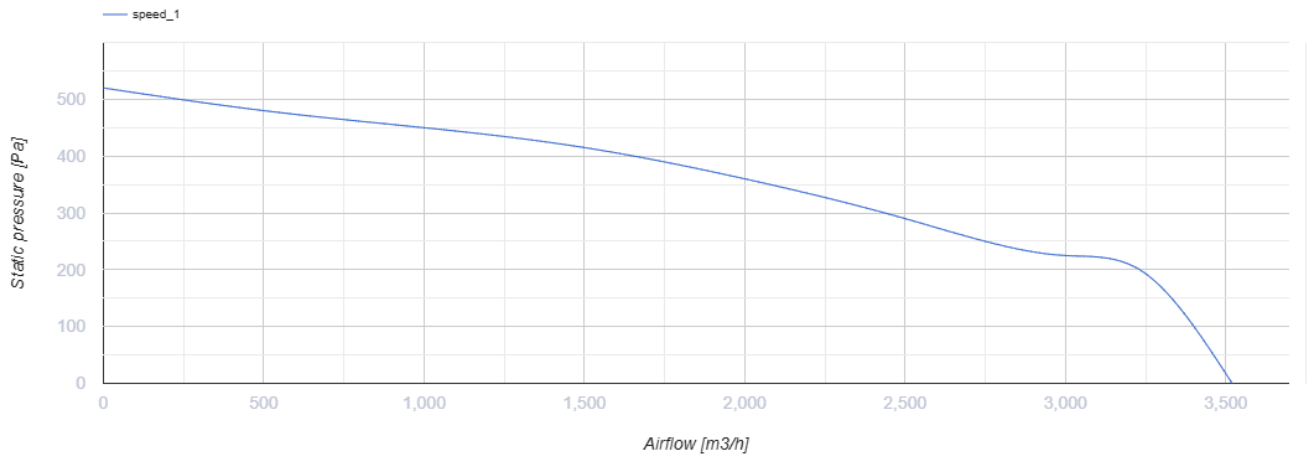
# KSD 315 S-4E



Inline centrifugal fan for round ducts in heat- and soundinsulated casing

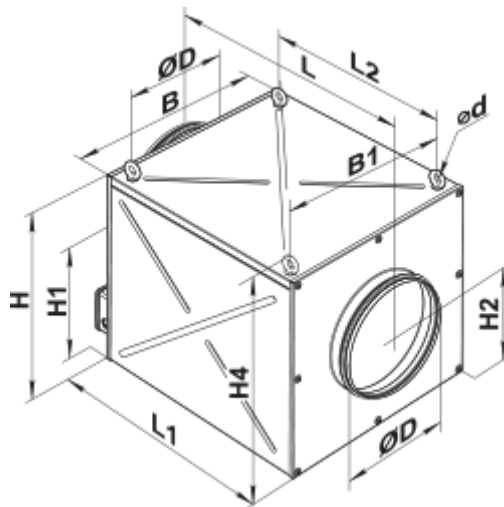
- Maximum airflow: 3520
- Sound pressure level LpA at 3 m: 47
- Sound insulation
- Motor type: AC
- Impeller type: Centrifugal forward curved blades
- Casing material: Galvanized steel
- Installation in any position

	Unit of measurement	KSD 315 S-4E
Connected air duct size	mm	315
Speed	-	1
Minimum supply voltage	V	230
Maximum supply voltage	V	230
Power supply frequency	Hz	50
Rated power	W	931
Unit current	A	4.18
Maximum airflow	m <sup>3</sup> /h	3520
Sound pressure level LpA at 3 m	dB(A)	47
Weight	kg	38
Transported air temperature (max)	°C	50
Transported air temperature (min)	°C	-20
Ingress protection rating	-	IPX4



## Dimensions

∅D	∅d	B	B1	H	H1	H2	H4	L	L1	L2
313	20	650	610	530	367	266	567	735	635	570



## Ecodesign

Trademark	Vents
Model	KSD 315 S-4E
Type of drive installed	External MSD or VSD
Type of heat recovery system	None
Nominal flow rate (m <sup>3</sup> /s)	0.424
Nominal external pressure (Pa)	298
Maximum external leakage rates (%)	2.7
Static efficiency (%)	25.1
Declared typology	NRVU UVU
Effective electric power input (kW)	0.514
Sound power level (dB(A))	63