

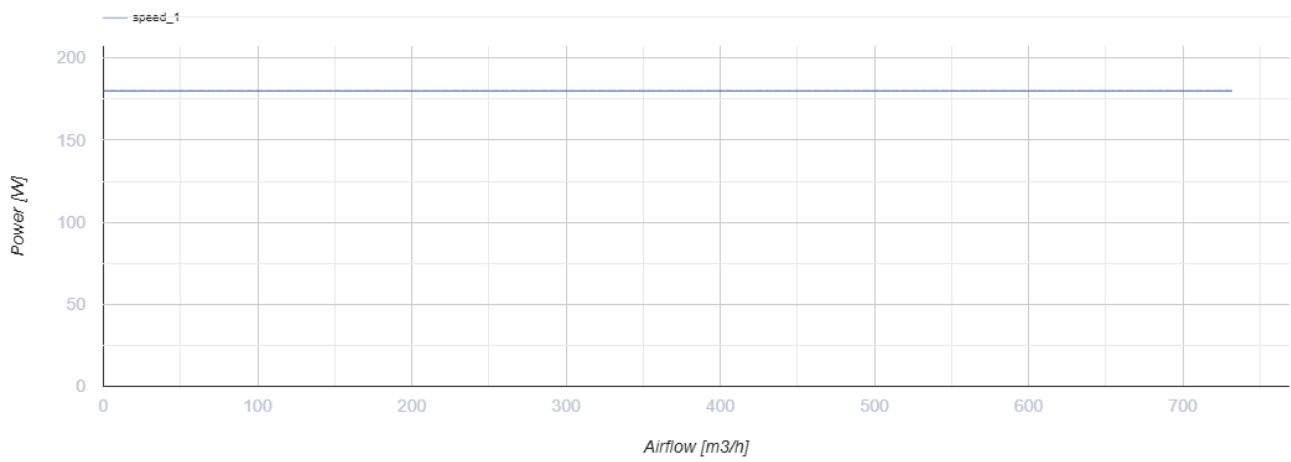
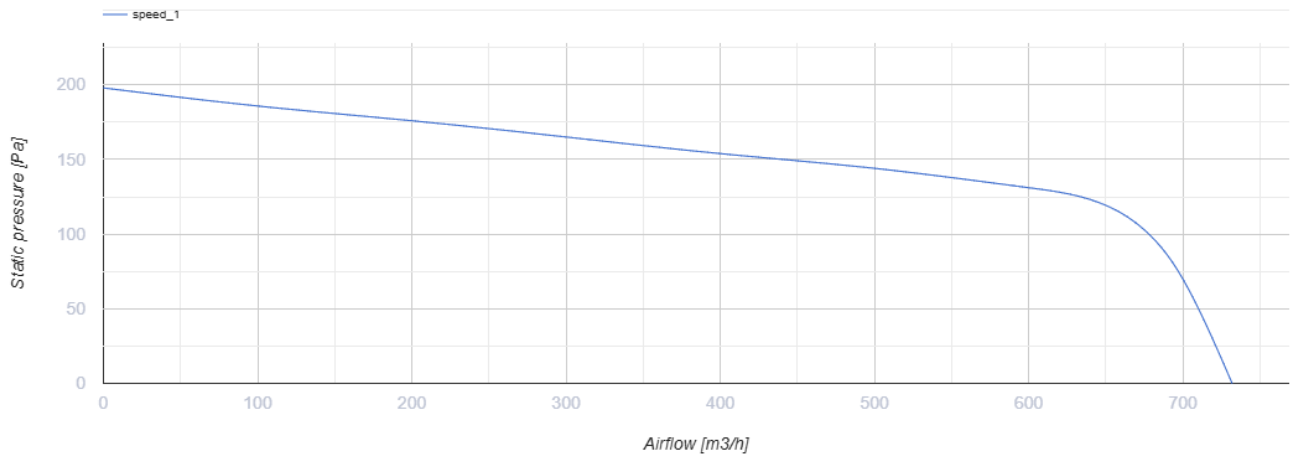
# KSK 160 4D



Centrifugal kitchen fan in sound-insulated casing

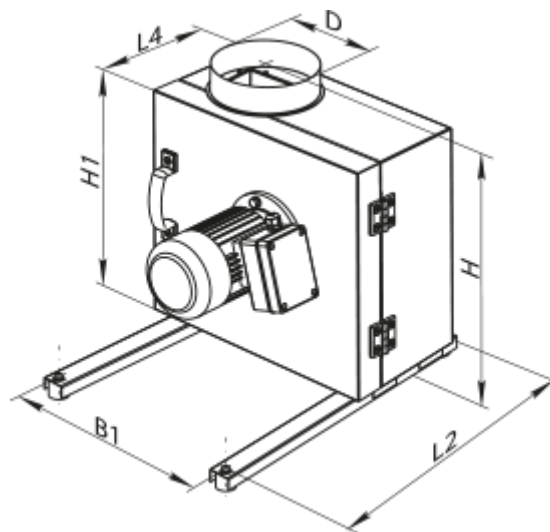
- Maximum airflow: 730
- Sound pressure level LpA at 3 m: 41
- Sound insulation
- Motor type: AC
- Impeller type: Centrifugal forward curved blades
- Casing material: Galvanized steel

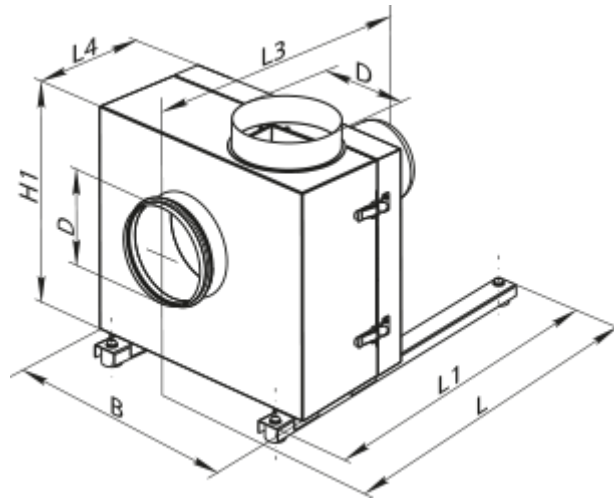
|                                   | Unit of measurement | KSK 160 4D |
|-----------------------------------|---------------------|------------|
| Connected air duct size           | mm                  | 160        |
| Speed                             | -                   | 1          |
| Minimum supply voltage            | V                   | 400        |
| Maximum supply voltage            | V                   | 400        |
| Power supply frequency            | Hz                  | 50         |
| Rated power                       | W                   | 180        |
| Unit current                      | A                   | 0.6        |
| Maximum airflow                   | m <sup>3</sup> /h   | 730        |
| Sound pressure level LpA at 3 m   | dB(A)               | 41         |
| Weight                            | kg                  | 17         |
| Transported air temperature (max) | °C                  | 120        |
| Transported air temperature (min) | °C                  | -20        |
| Ingress protection rating         | -                   | IP54       |



## Dimensions


| ØD  | B   | B1  | H   | H1  | L   | L1  | L2  | L3  | L4  |
|-----|-----|-----|-----|-----|-----|-----|-----|-----|-----|
| 160 | 410 | 330 | 540 | 365 | 525 | 500 | 470 | 475 | 205 |





## Accessories

### For round ducts

| Name                    | Photo   | Description                                    |
|-------------------------|---|--|
| <a href="#">KOM 160</a> |  | Spring-loaded backdraft damper for round ducts |

### Other accessories

| Name                    | Photo   | Description                       |
|-------------------------|---|-----------------------------------|
| <a href="#">VVG 160</a> |  | Flexible anti-vibration connector |