

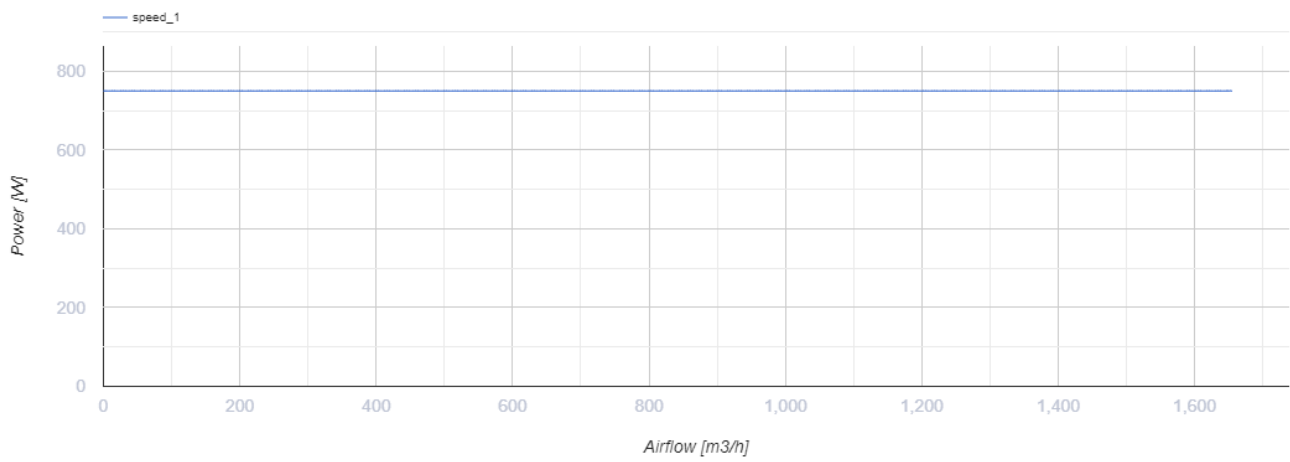
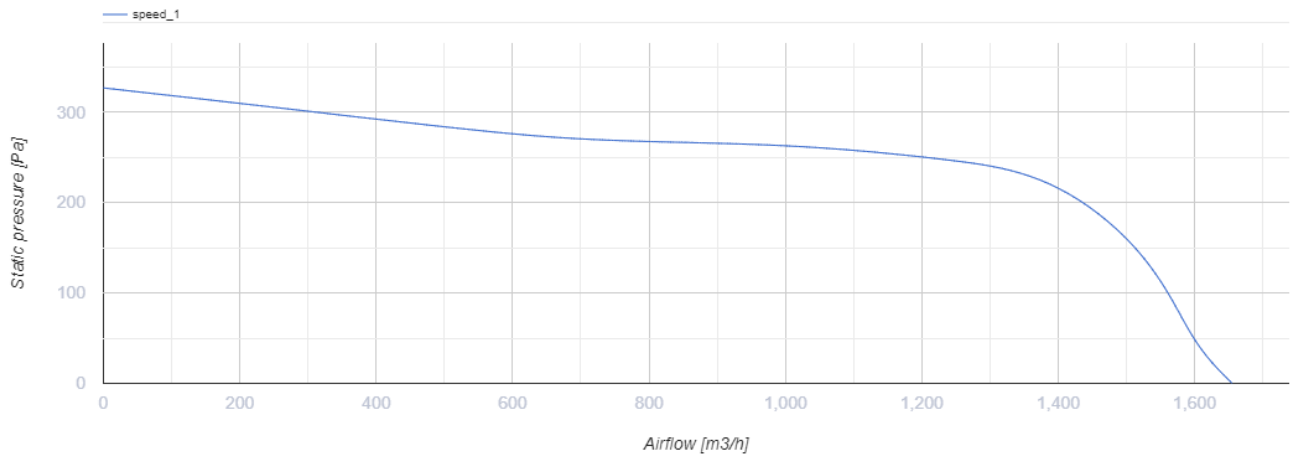
KSK 200 4D



Centrifugal kitchen fan in sound-insulated casing

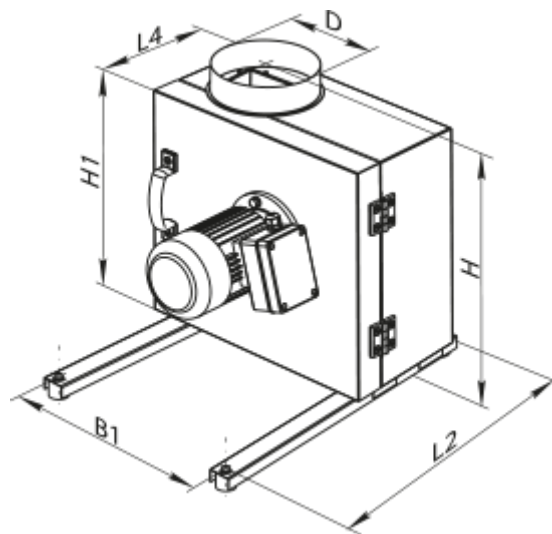
- Maximum airflow: 1650
- Sound pressure level LpA at 3 m: 45
- Sound insulation
- Motor type: AC
- Impeller type: Centrifugal forward curved blades
- Casing material: Galvanized steel

	Unit of measurement	KSK 200 4D
Connected air duct size	mm	200
Speed	-	1
Minimum supply voltage	V	400
Maximum supply voltage	V	400
Power supply frequency	Hz	50
Rated power	W	750
Unit current	A	2
Maximum airflow	m ³ /h	1650
Sound pressure level LpA at 3 m	dB(A)	45
Weight	kg	25
Transported air temperature (max)	°C	120
Transported air temperature (min)	°C	-20
Ingress protection rating	-	IP54



Dimensions


ØD	B	B1	H	H1	L	L1	L2	L3	L4
200	485	365	600	425	625	600	570	515	235





Accessories

For round ducts

Name	Photo	Description
KOM 200		Spring-loaded backdraft damper for round ducts

Other accessories

Name	Photo	Description
VVG 200		Flexible anti-vibration connector