

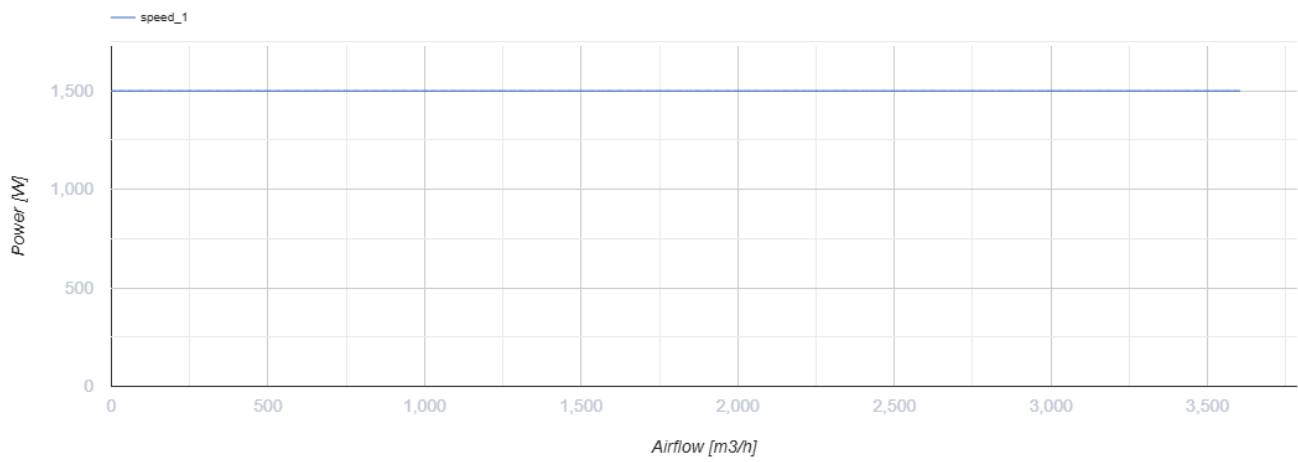
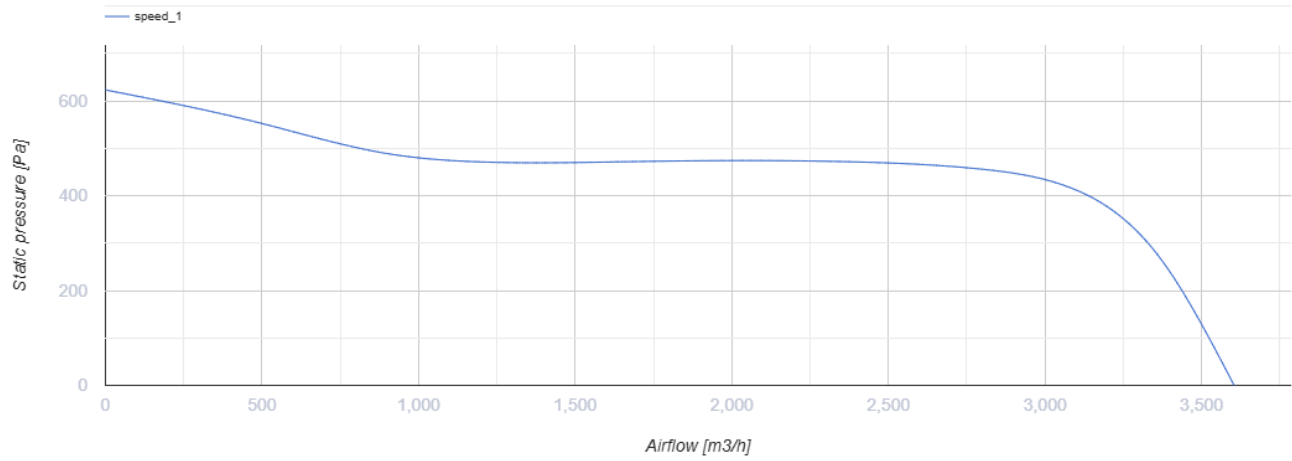
# KSK 250 4D



Centrifugal kitchen fan in sound-insulated casing

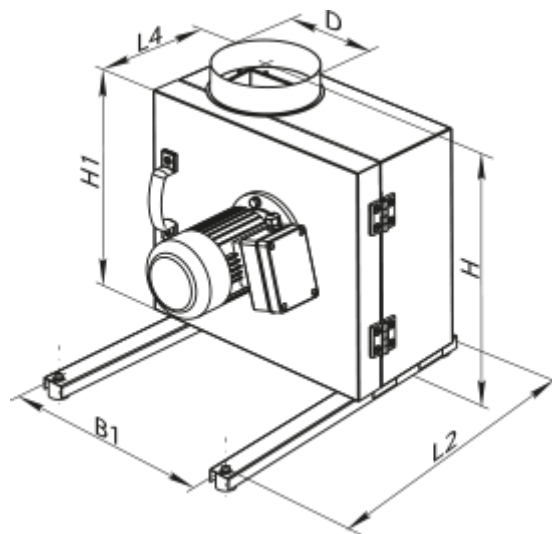
- Maximum airflow: 3500
- Sound pressure level LpA at 3 m: 51
- Sound insulation
- Motor type: AC
- Impeller type: Centrifugal forward curved blades
- Casing material: Galvanized steel

	Unit of measurement	KSK 250 4D
Connected air duct size	mm	250
Speed	-	1
Minimum supply voltage	V	400
Maximum supply voltage	V	400
Power supply frequency	Hz	50
Rated power	W	1500
Unit current	A	3.4
Maximum airflow	m <sup>3</sup> /h	3500
Sound pressure level LpA at 3 m	dB(A)	51
Weight	kg	40
Transported air temperature (max)	°C	120
Transported air temperature (min)	°C	-20
Ingress protection rating	-	IP54



## Dimensions

ØD	B	B1	H	H1	L	L1	L2	L3	L4
250	575	435	665	505	700	675	645	620	285





## Accessories

### For round ducts

Name	Photo	Description
<a href="#">KOM 250</a>		Spring-loaded backdraft damper for round ducts

### Other accessories

Name	Photo	Description
<a href="#">VVG 250</a>		Flexible anti-vibration connector