

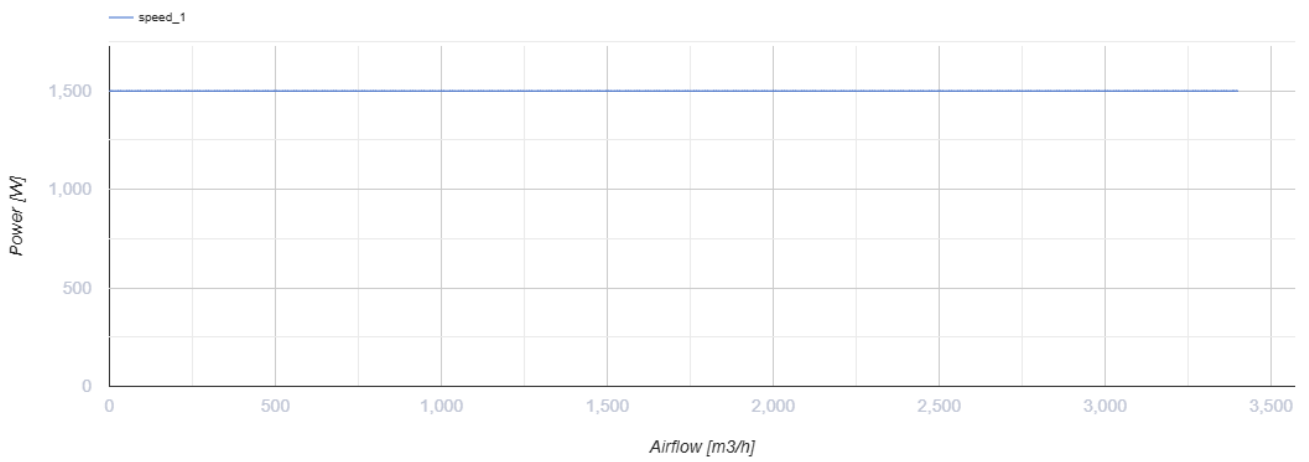
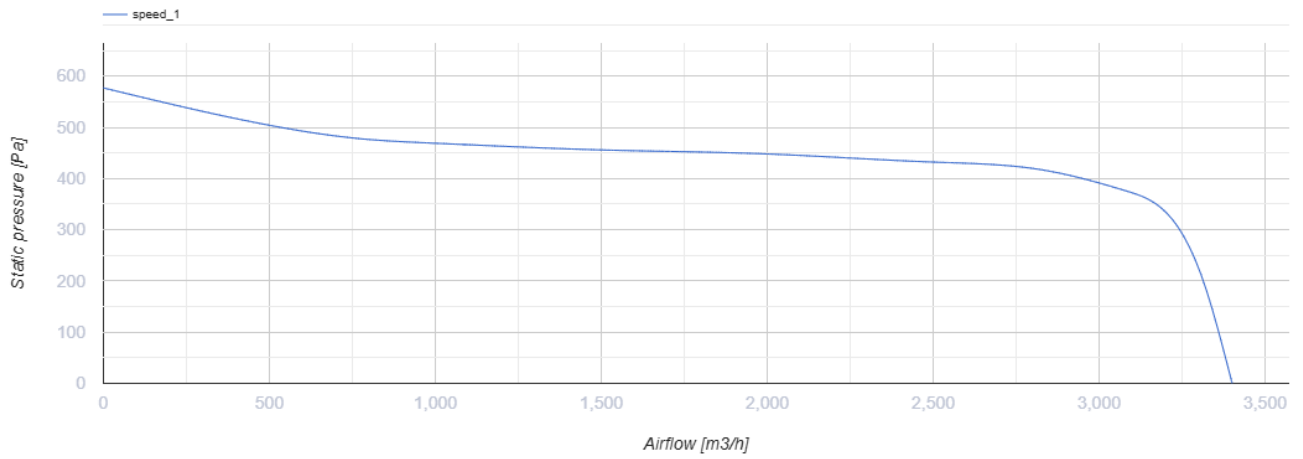
KSK 250 4E



Kitchen inline fans in sound-insulated casings with operational temperature of 120 °C

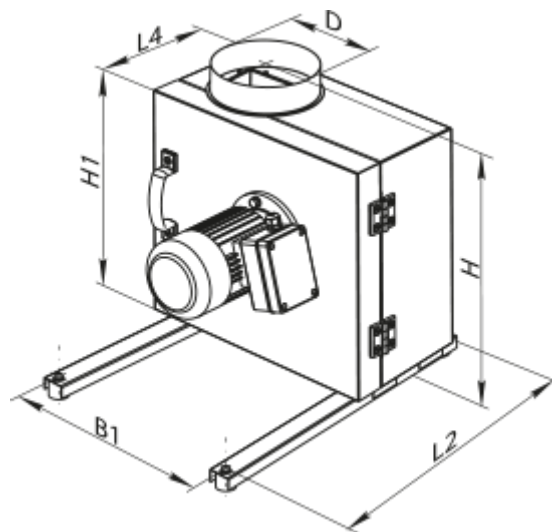
- Maximum airflow: 3400
- Sound pressure level LpA at 3 m: 51
- Sound insulation
- Motor type: AC
- Impeller type: Centrifugal forward curved blades
- Casing material: Galvanized steel

	Unit of measurement	KSK 250 4E
Connected air duct size	mm	250
Speed	-	1
Minimum supply voltage	V	230
Maximum supply voltage	V	230
Power supply frequency	Hz	50
Rated power	W	1500
Unit current	A	11
Maximum airflow	m ³ /h	3400
Sound pressure level LpA at 3 m	dB(A)	51
Weight	kg	40
Transported air temperature (max)	°C	120
Transported air temperature (min)	°C	-20
Ingress protection rating	-	IP54



Dimensions


ØD	B	B1	H	H1	L	L1	L2	L3	L4
250	575	435	665	505	700	675	645	620	285





Accessories

For round ducts

Name	Photo	Description
KOM 250		Backdraught damper with spring-loaded plates for shutting off air flow in round air ducts

Other accessories

Name	Photo	Description
VVG 250		Flexible anti-vibration inserts for round ducts