

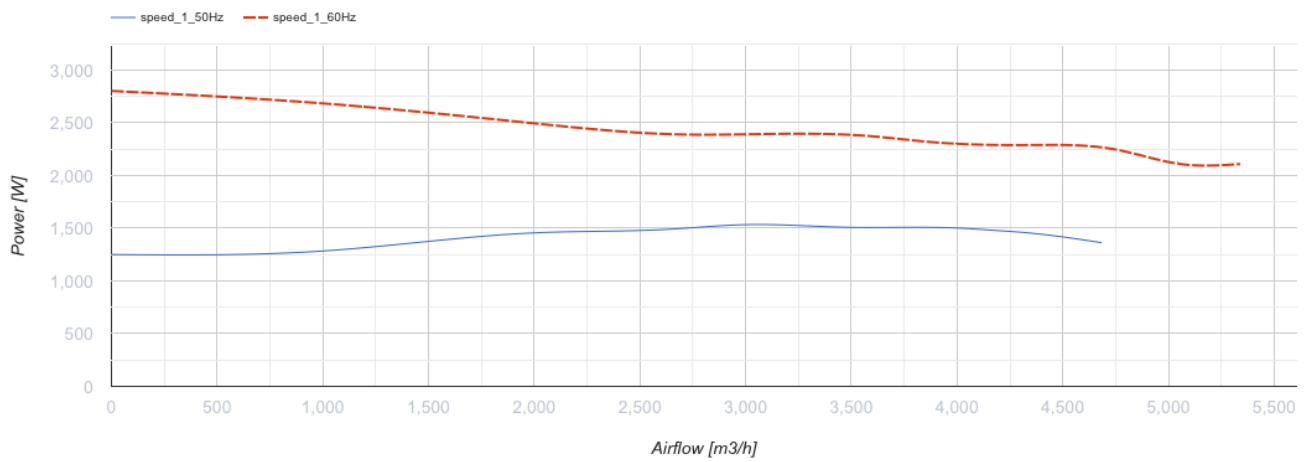
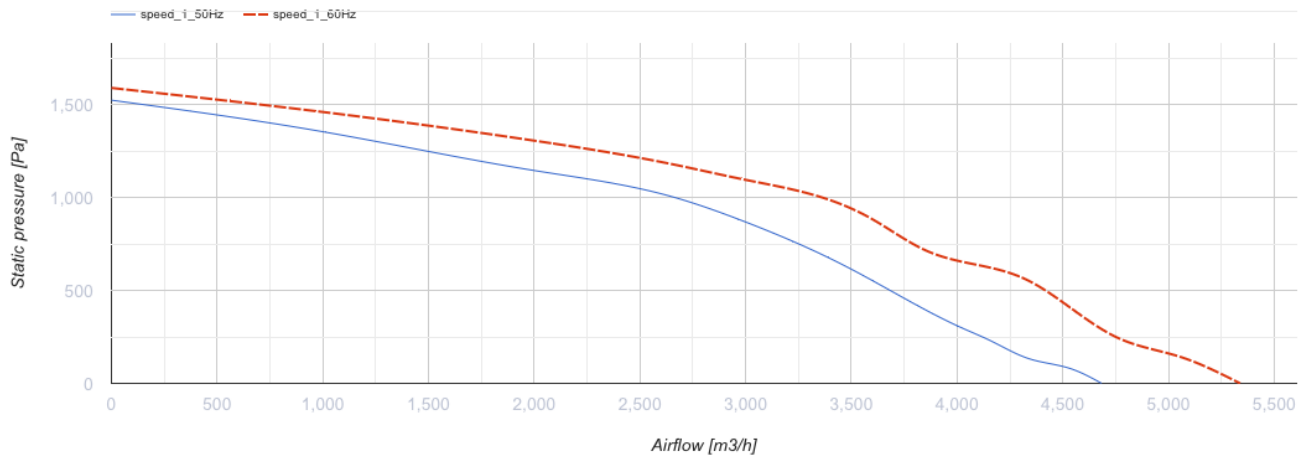
# KSK 315 2E



Centrifugal kitchen fan in sound-insulated casing

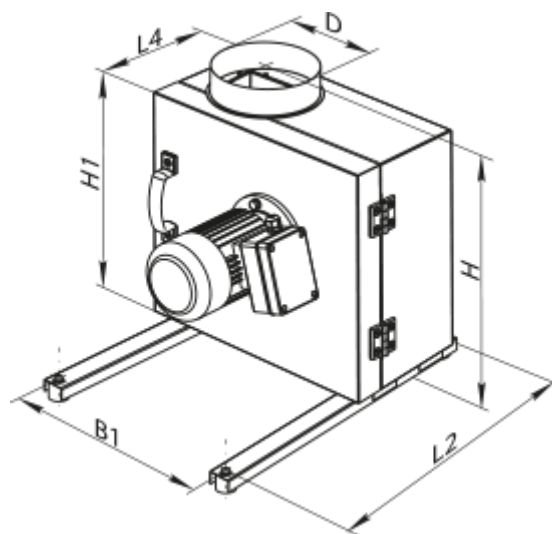
- Maximum airflow: 4695
- Sound pressure level LpA at 3 m: 53
- Fire resistance class: 120°C within 60 min
- Sound insulation
- Motor type: AC
- Impeller type: Centrifugal backward curved blades
- Casing material: Galvanized steel

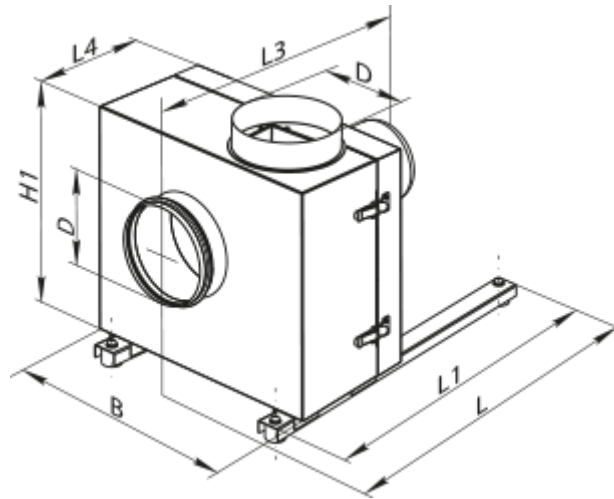
	Unit of measurement	KSK 315 2E
Connected air duct size	mm	315
Speed	-	1
Minimum supply voltage	V	230
Maximum supply voltage	V	230
Power supply frequency	Hz	50/60
Rated power	W	1531
Unit current	A	7.35
Maximum airflow	m <sup>3</sup> /h	4695
Sound pressure level LpA at 3 m	dB(A)	53
Weight	kg	61
Transported air temperature (max)	°C	110
Transported air temperature (min)	°C	-20
Ingress protection rating	-	IP54



## Dimensions


ØD	B	B1	H	H1	L	L1	L2	L3	L4
315	690	550	708	600	715	700	650	672	327





## Accessories

### For round ducts

Name	Photo	Description
<a href="#">KOM 315</a>		Spring-loaded backdraft damper for round ducts

### Other accessories

Name	Photo	Description
<a href="#">VVG 315</a>		Flexible anti-vibration connector