

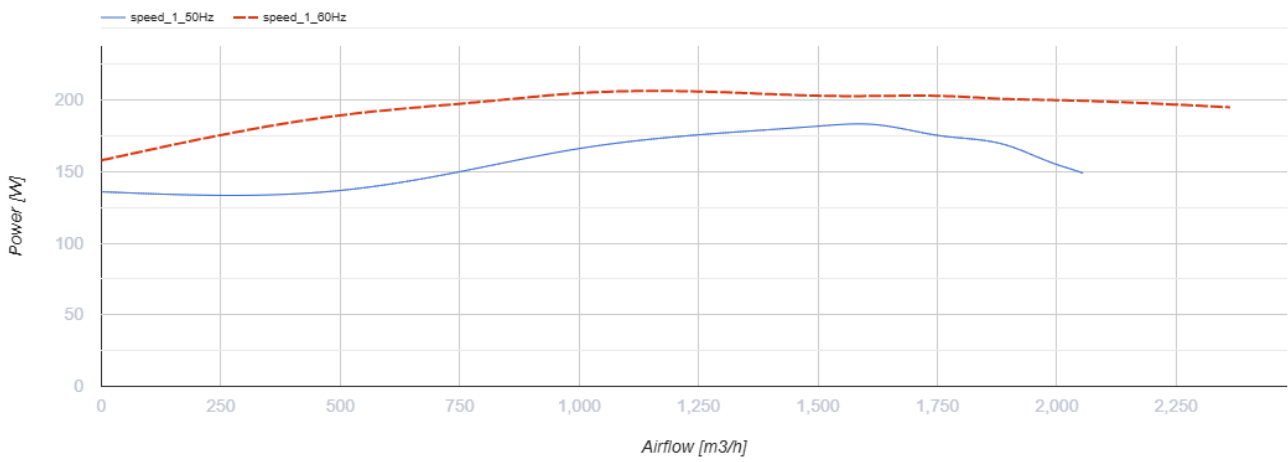
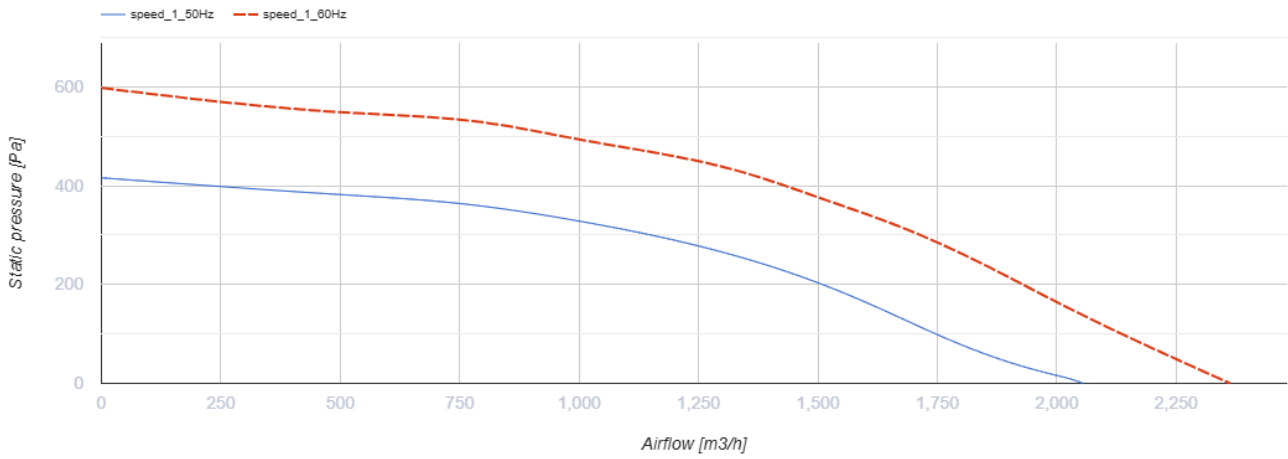
KSK 315 4D



Kitchen inline fans in sound-insulated casings with operational temperature of 120 °C

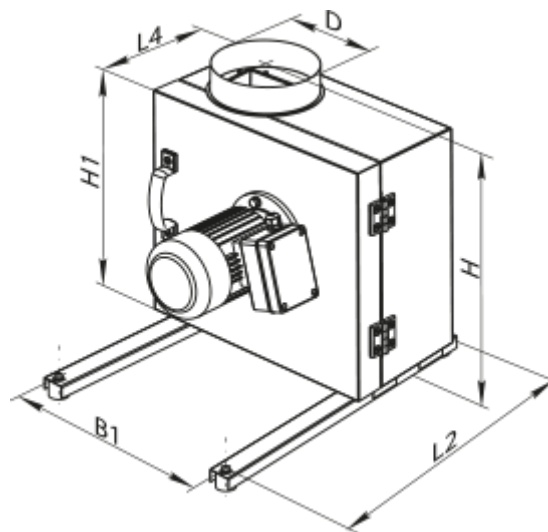
- Maximum airflow: 2040
- Sound pressure level LpA at 3 m: 46
- Fire resistance class: 120°C within 60 min
- Sound insulation
- Motor type: AC
- Impeller type: Centrifugal backward curved blades
- Casing material: Galvanized steel

	Unit of measurement	KSK 315 4D
Connected air duct size	mm	315
Speed	-	1
Minimum supply voltage	V	400
Maximum supply voltage	V	400
Power supply frequency	Hz	50/60
Rated power	W	184
Unit current	A	0.7
Maximum airflow	m ³ /h	2040
Sound pressure level LpA at 3 m	dB(A)	46
Weight	kg	52
Transported air temperature (max)	°C	110
Transported air temperature (min)	°C	-20
Ingress protection rating	-	IP54



Dimensions


ØD	B	B1	H	H1	L	L1	L2	L3	L4
315	690	550	708	600	715	700	650	612	327



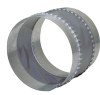


Accessories

For round ducts

Name	Photo	Description
KOM 315		Backdraught damper with spring-loaded plates for shutting off air flow in round air ducts

Other accessories

Name	Photo	Description
VVG 315		Flexible anti-vibration inserts for round ducts