

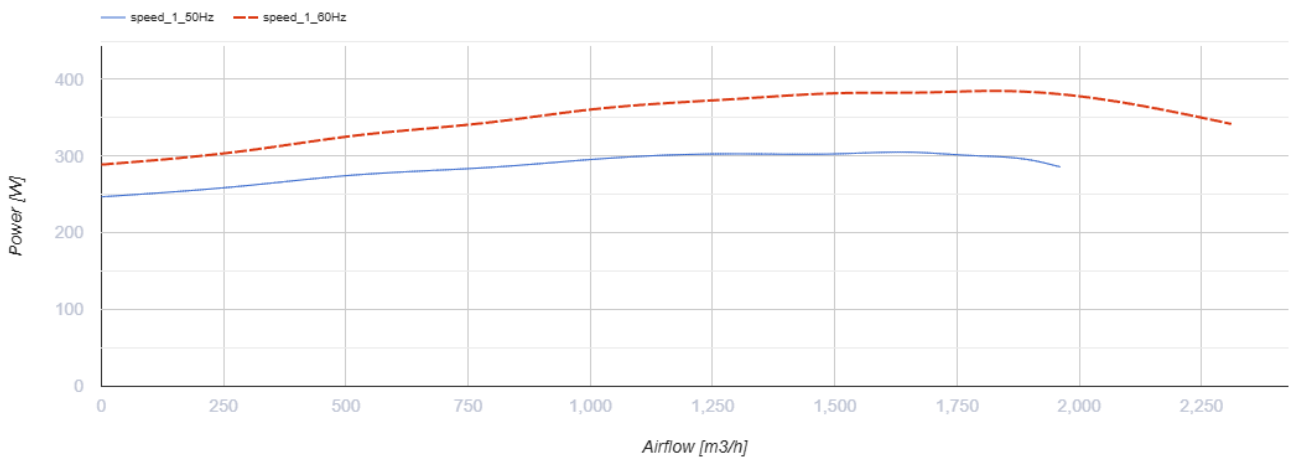
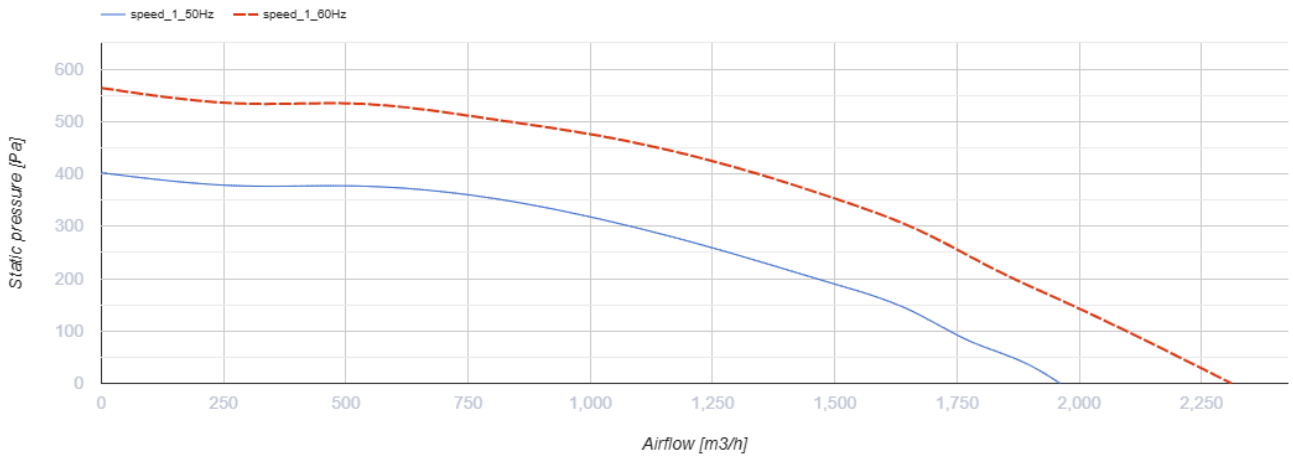
KSK 315 4E



Centrifugal kitchen fan in sound-insulated casing

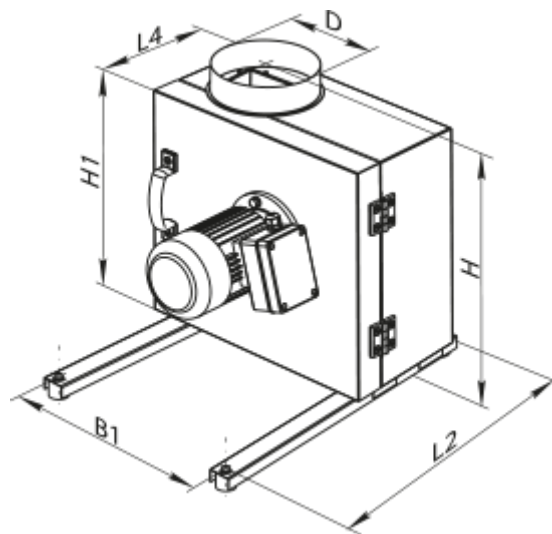
- Maximum airflow: 1970
- Sound pressure level LpA at 3 m: 46
- Fire resistance class: 120°C within 60 min
- Sound insulation
- Motor type: AC
- Impeller type: Centrifugal backward curved blades
- Casing material: Galvanized steel

	Unit of measurement	KSK 315 4E
Connected air duct size	mm	315
Speed	-	1
Minimum supply voltage	V	230
Maximum supply voltage	V	230
Power supply frequency	Hz	50/60
Rated power	W	304
Unit current	A	1.84
Maximum airflow	m ³ /h	1970
Sound pressure level LpA at 3 m	dB(A)	46
Weight	kg	53
Transported air temperature (max)	°C	110
Transported air temperature (min)	°C	-20
Ingress protection rating	-	IP54



Dimensions


ØD	B	B1	H	H1	L	L1	L2	L3	L4
315	690	550	708	600	715	700	650	612	327



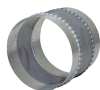


Accessories

For round ducts

Name	Photo	Description
KOM 315		Spring-loaded backdraft damper for round ducts

Other accessories

Name	Photo	Description
VVG 315		Flexible anti-vibration connector