

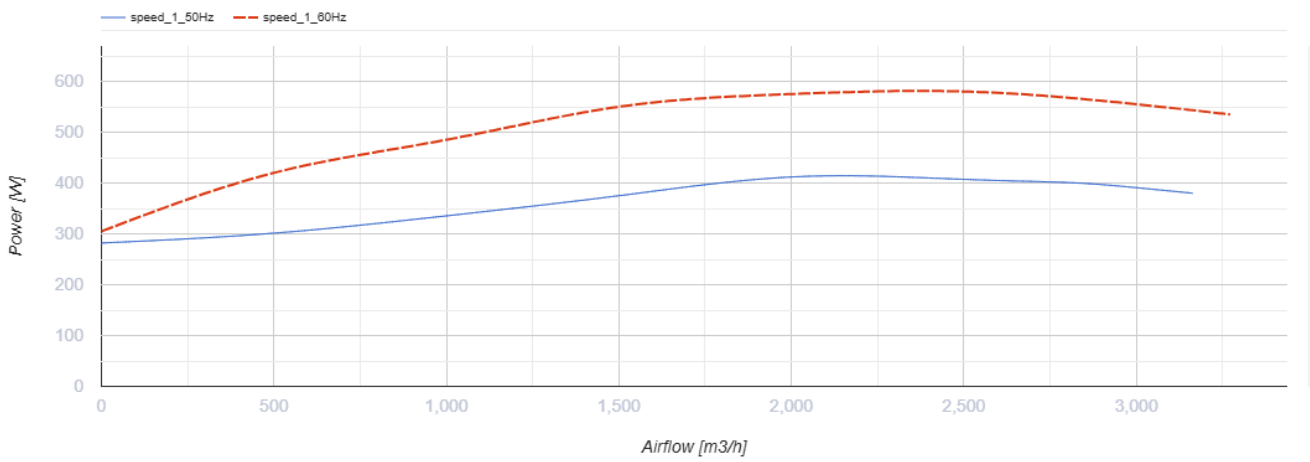
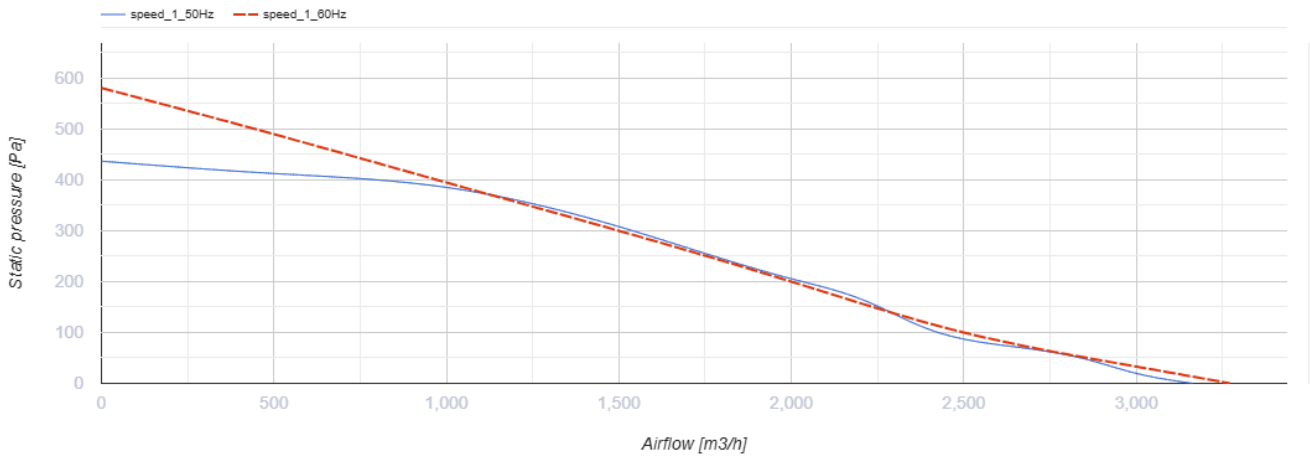
# KSK 355 4D



Centrifugal kitchen fan in sound-insulated casing

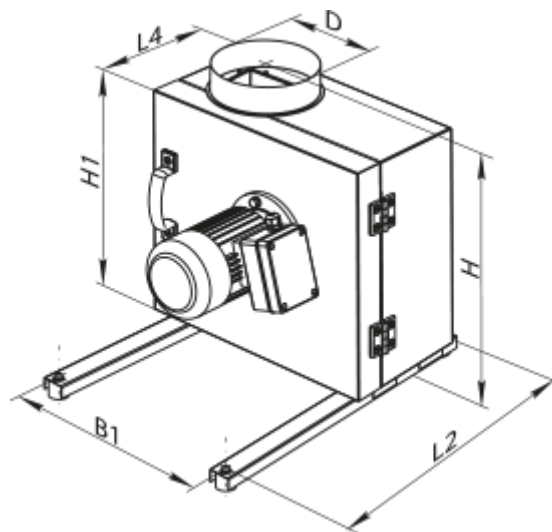
- Maximum airflow: 3155
- Sound pressure level LpA at 3 m: 49
- Fire resistance class: 120°C within 60 min
- Sound insulation
- Motor type: AC
- Impeller type: Centrifugal backward curved blades
- Casing material: Galvanized steel

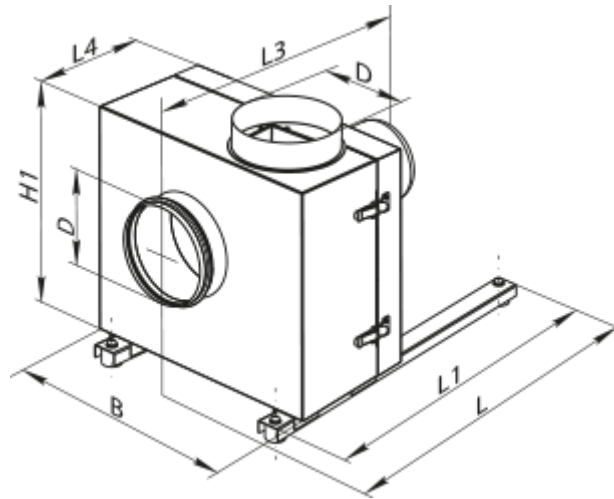
	Unit of measurement	KSK 355 4D
Connected air duct size	mm	355
Speed	-	1
Minimum supply voltage	V	400
Maximum supply voltage	V	400
Power supply frequency	Hz	50/60
Rated power	W	405
Unit current	A	0.87
Maximum airflow	m <sup>3</sup> /h	3155
Sound pressure level LpA at 3 m	dB(A)	49
Weight	kg	59
Transported air temperature (max)	°C	110
Transported air temperature (min)	°C	-20
Ingress protection rating	-	IP54



## Dimensions

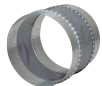
ØD	B	B1	H	H1	L	L1	L2	L3	L4
355	740	600	764	655	727	700	650	637	352





## Accessories

### Other accessories

Name	Photo	Description
<a href="#">VVG 355</a>		Flexible anti-vibration connector