

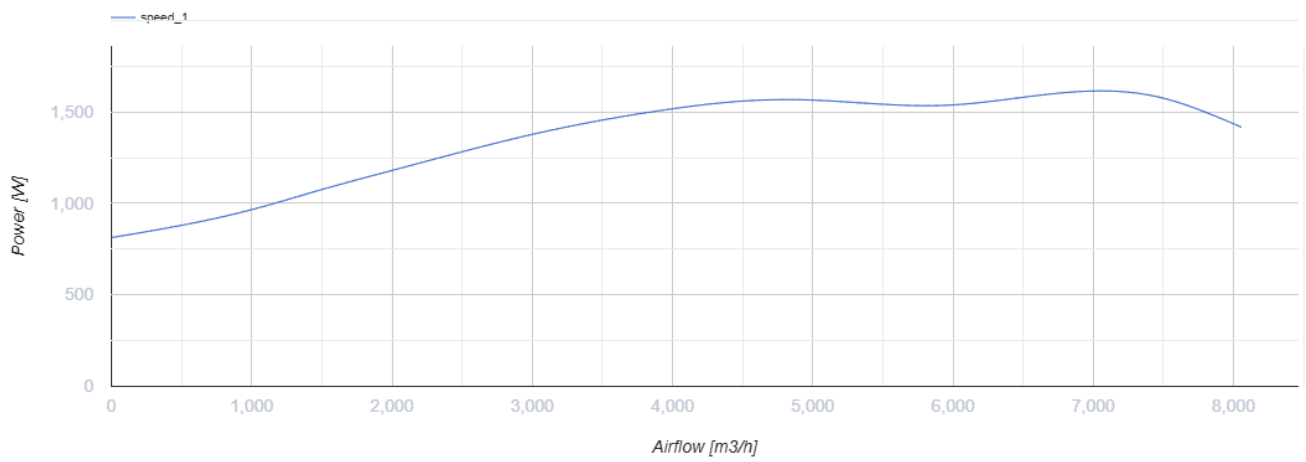
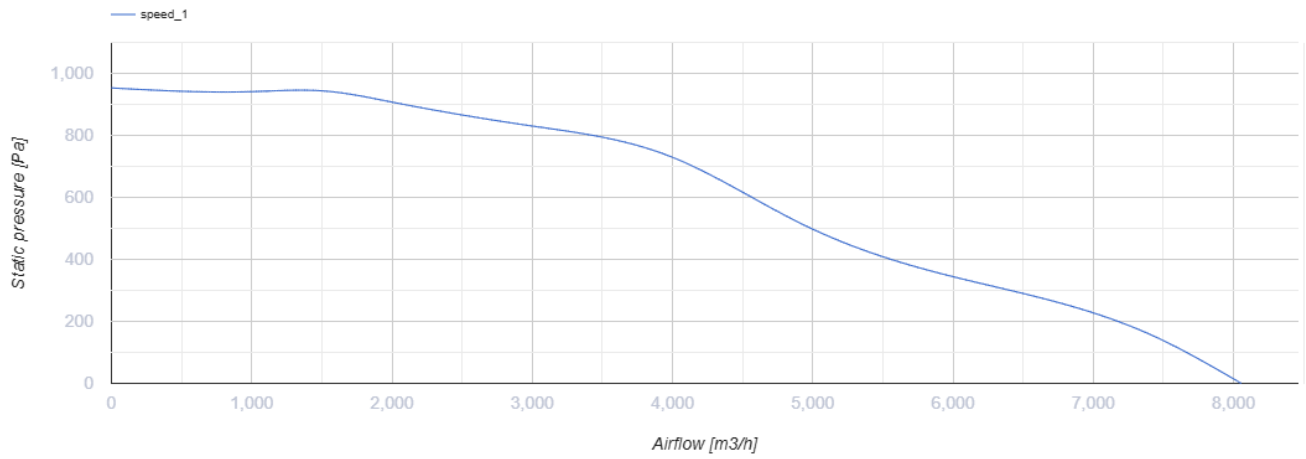
KSK 450 4E



Centrifugal kitchen fan in sound-insulated casing

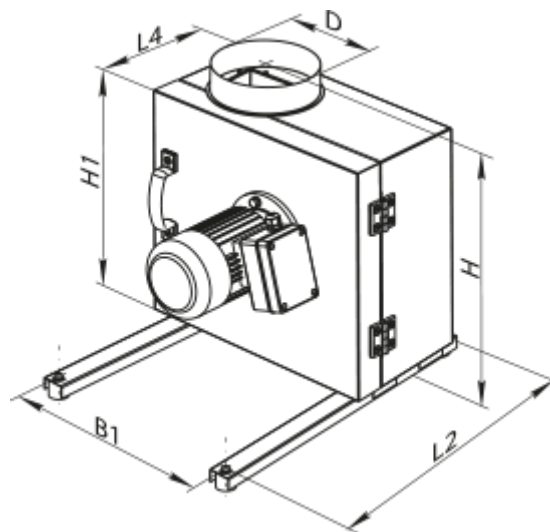
- Maximum airflow: 8138
- Sound pressure level LpA at 3 m: 57
- Fire resistance class: 120°C within 60 min
- Sound insulation
- Motor type: AC
- Impeller type: Centrifugal backward curved blades
- Casing material: Galvanized steel

	Unit of measurement	KSK 450 4E
Connected air duct size	mm	450
Speed	-	1
Minimum supply voltage	V	230
Maximum supply voltage	V	230
Power supply frequency	Hz	50
Rated power	W	1570
Unit current	A	7.25
Maximum airflow	m ³ /h	8138
Sound pressure level LpA at 3 m	dB(A)	57
Weight	kg	109
Transported air temperature (max)	°C	110
Transported air temperature (min)	°C	-20
Ingress protection rating	-	IP54



Dimensions

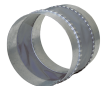
ØD	B	B1	H	H1	L	L1	L2	L3	L4
450	996	750	980	870	925	900	850	782	437





Accessories

Other accessories

Name	Photo	Description
VVG 450		Flexible anti-vibration connector