

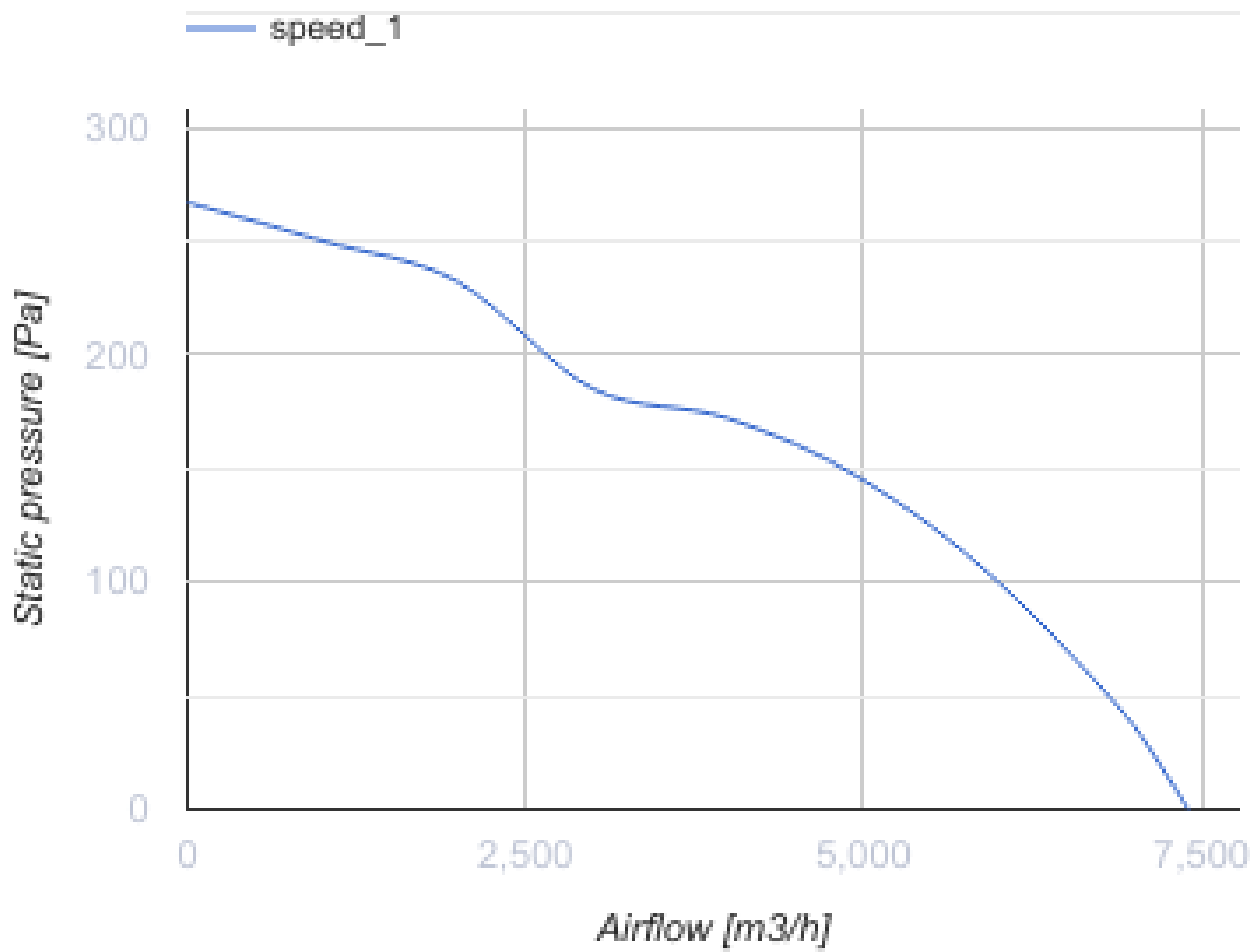
OV 450 EC



Low pressure axial fans in the steel casing for wall and duct mounting

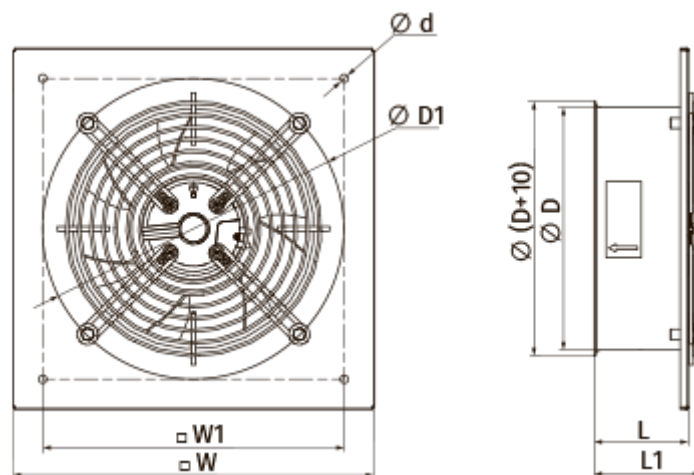
- Maximum airflow: 7400
- Sound pressure level LpA at 3 m: 65
- Motor type: EC
- Impeller type: Axial
- Casing material: Coated steel

	Unit of measurement	OV 450 EC
Phases	-	1
Minimum supply voltage	V	230
Maximum supply voltage	V	230
Power supply frequency	Hz	50/60
Rated power	W	380
Unit current	A	1.7
Maximum airflow	m ³ /h	7400
Sound pressure level LpA at 3 m	dB(A)	65
Weight	kg	7.05
Transported air temperature (max)	°C	60
Transported air temperature (min)	°C	-25
Ingress protection rating	-	IPX5
Ingress protection rating of the drive	-	IP55



Dimensions

∅D	∅D1	∅d1	L	L1	W	W1
470	520	11	176	294	576	535



Accessories

Speed controllers

Name	Photo	Description
R-1/010		Speed controller for EC motors