

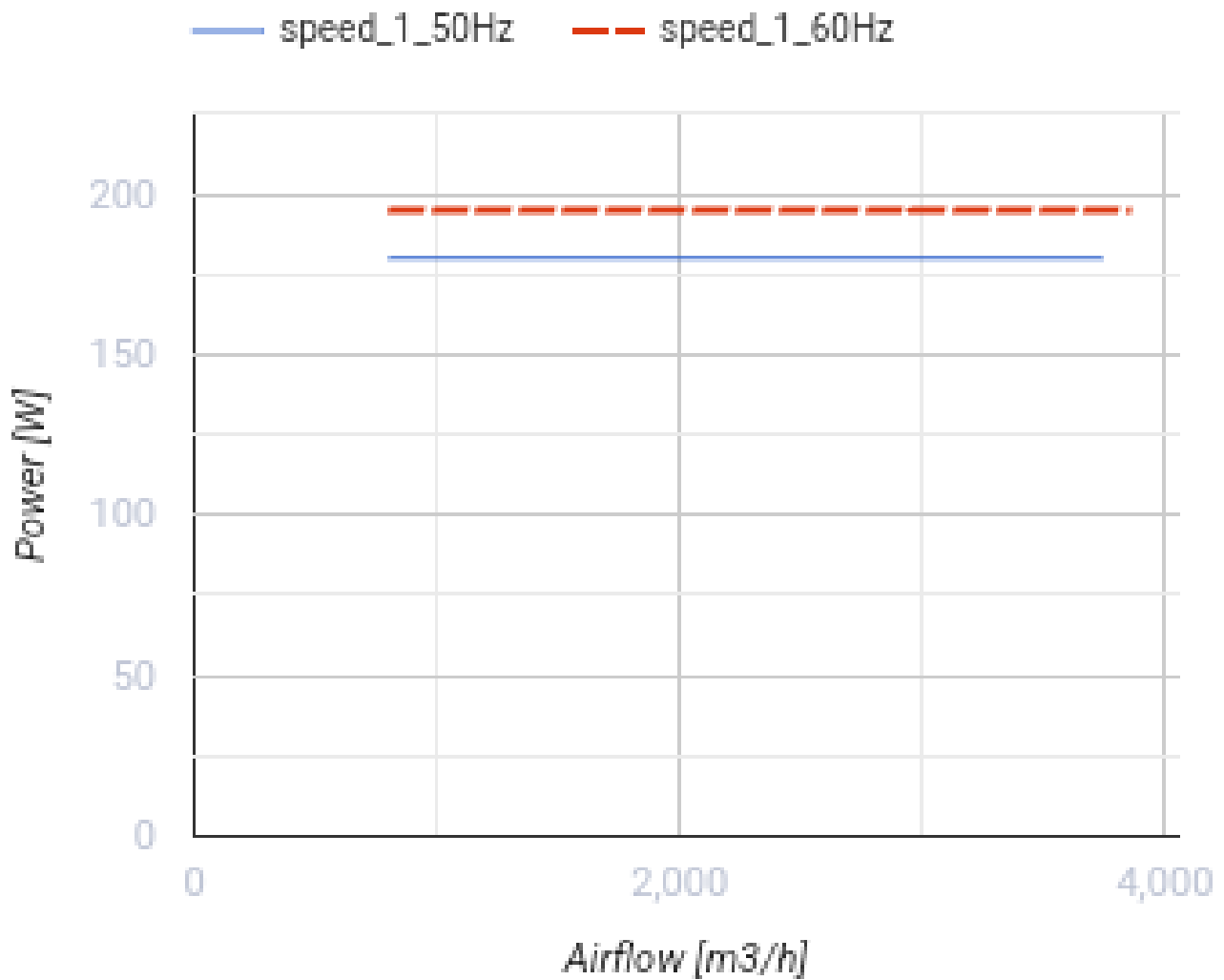
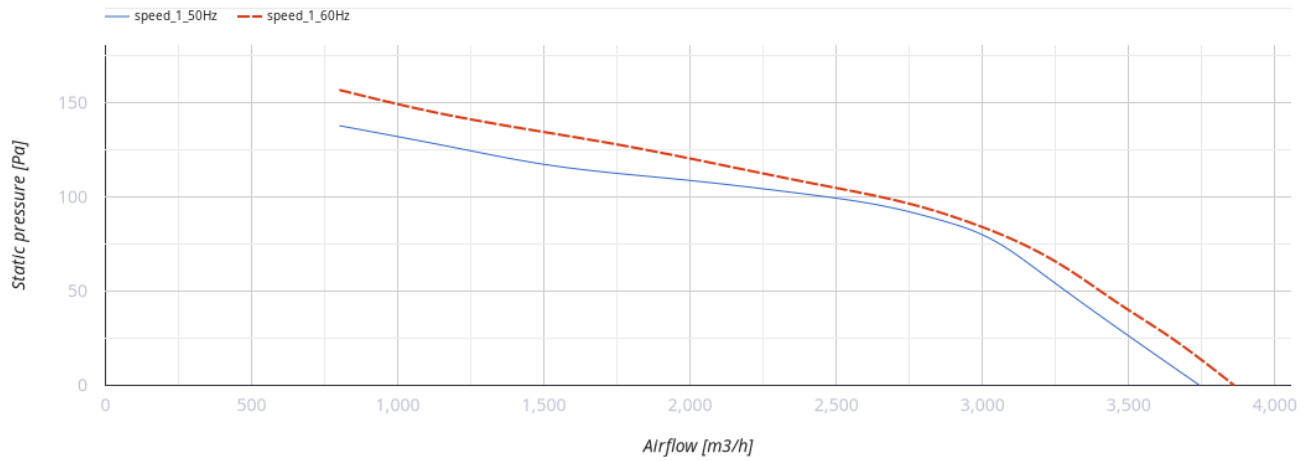
OV 4D 400



Low pressure axial fans in the steel casing for wall mounting

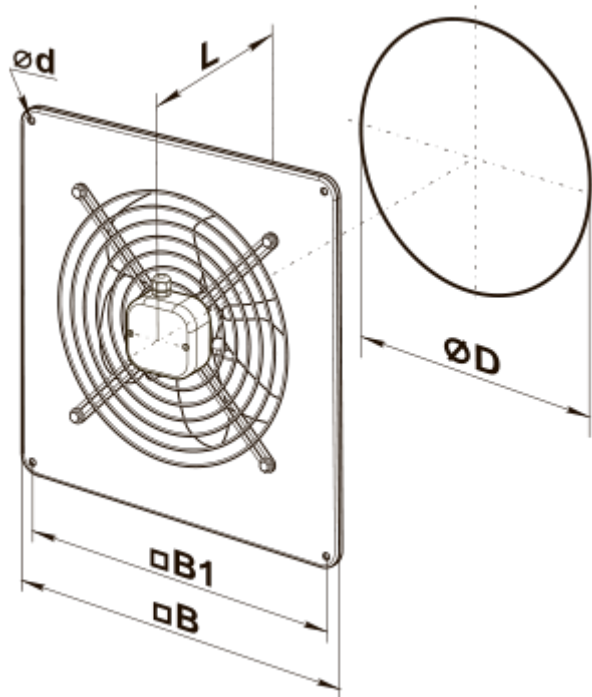
- Maximum airflow: 3740
- Sound pressure level LpA at 3 m: 54
- Motor type: AC
- Impeller type: Axial
- Casing material: Polypropylene/Thermoplastic elastomer
- Installation in any position

	Unit of measurement	OV 4D 400
Connected air duct size	mm	400
Speed	-	1
Minimum supply voltage	V	400
Maximum supply voltage	V	400
Power supply frequency	Hz	50/60
Rated power	W	180
Unit current	A	0.47
Maximum airflow	m ³ /h	3740
Sound pressure level LpA at 3 m	dB(A)	54
Weight	kg	8.8
Transported air temperature (max)	°C	60
Transported air temperature (min)	°C	-30
Ingress protection rating	-	IP24



Dimensions

$\varnothing D$	$\varnothing d$	B	B1	L
416	9	540	490	220



Ecodesign

Trademark	Vents
Model	OV 4D 400
Type of drive installed	External MSD or VSD
Type of heat recovery system	None
Nominal flow rate (m ³ /s)	0.78
Nominal external pressure (Pa)	90
Maximum external leakage rates (%)	2.7
Static efficiency (%)	34.3
Declared typology	NRVU UVU
Effective electric power input (kW)	0.209
Sound power level (dB(A))	84