

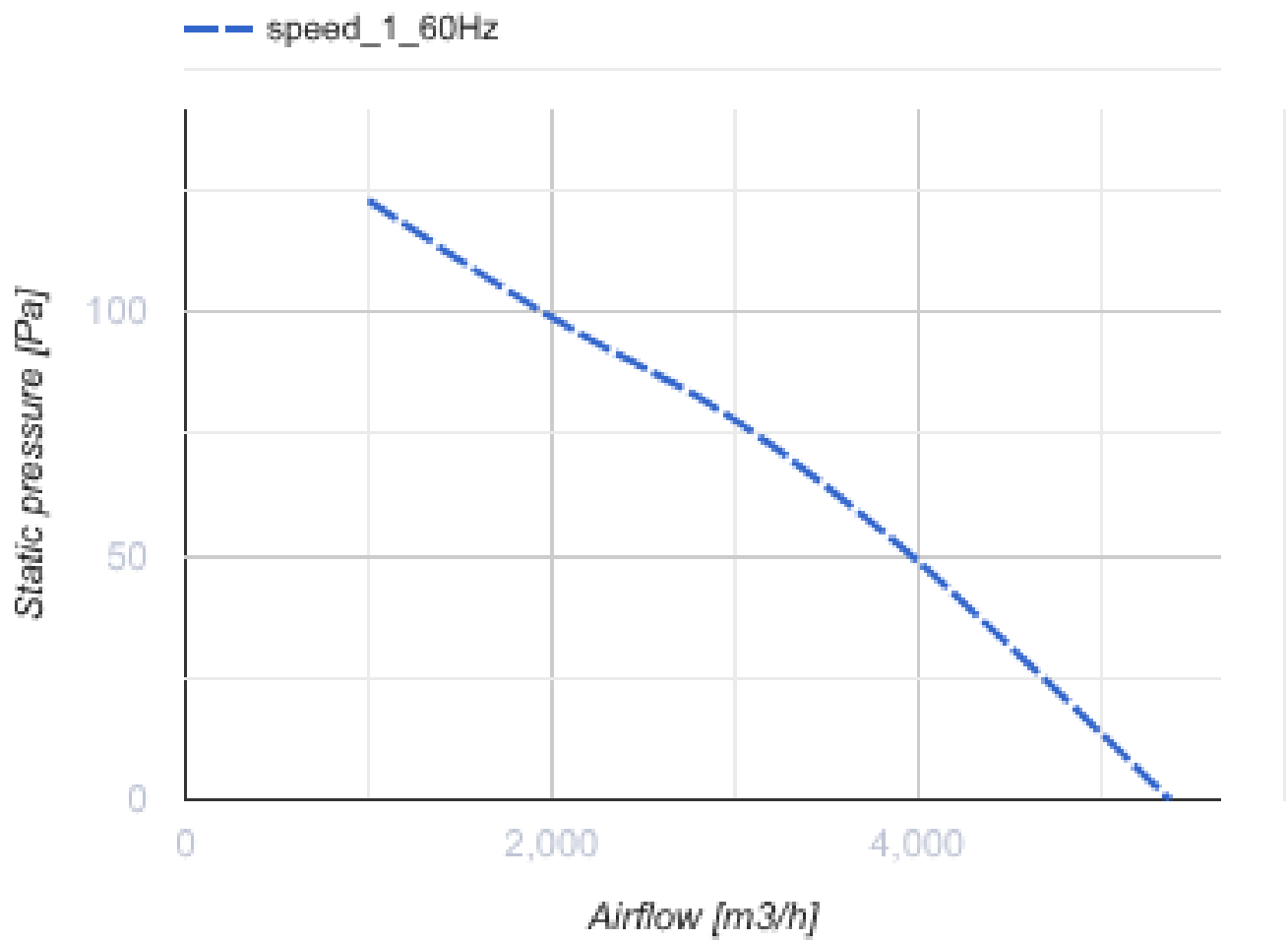
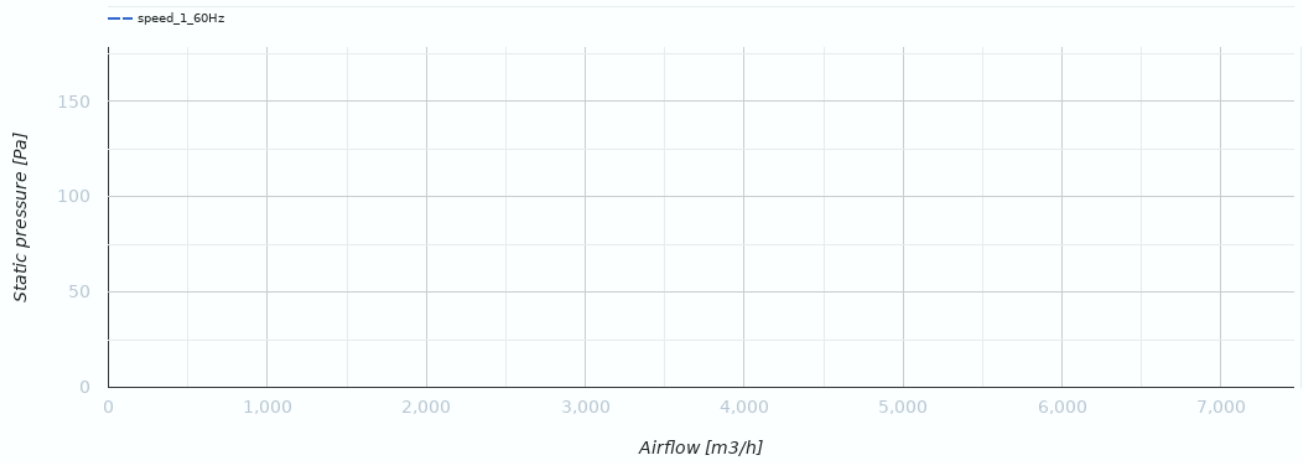
OV 6E 500 (220V/60Hz)

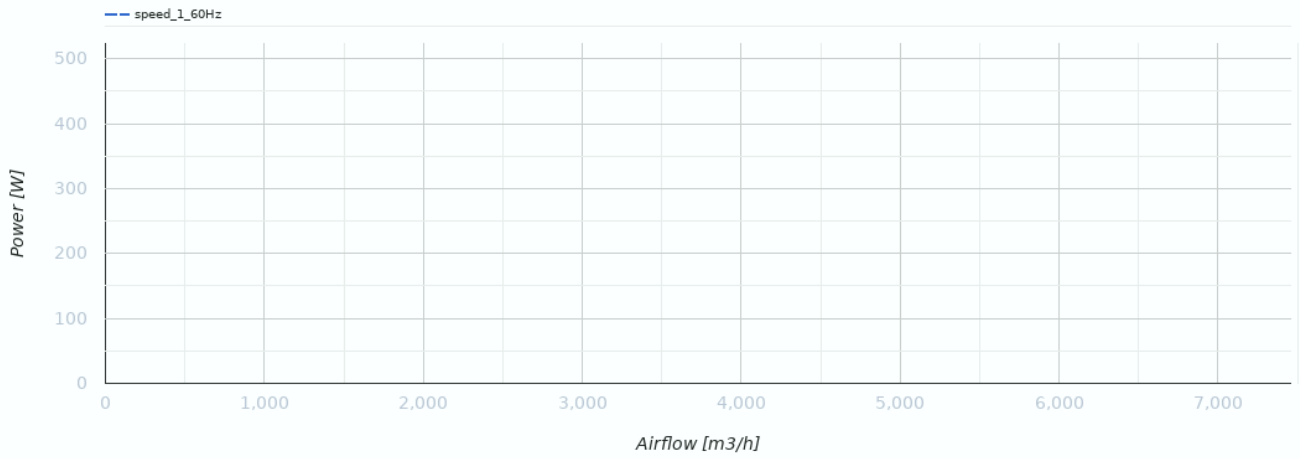


Wall-mounted axial fans

- Impeller type: Axial
- Casing material: Coated steel
- Installation in any position

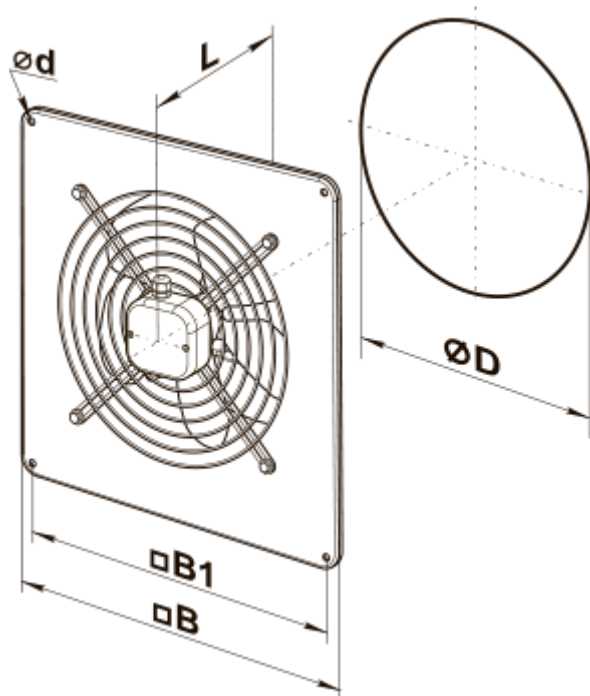
	Unit of measurement	OV 6E 500 (220V/60Hz)
Phases	-	1
Minimum supply voltage	V	220
Maximum supply voltage	V	240
Power supply frequency	Hz	60
Weight	kg	14
Transported air temperature (max)	°C	50
Transported air temperature (min)	°C	-30
Ingress protection rating	-	IP24
Ingress protection rating of the drive	-	IP54
Impeller material	-	Coated steel





Dimensions

$\varnothing D$	$\varnothing d$	B	B1	L
520	11	655	615	250



Ecodesign

Trademark	Vents
Model	OV 6E 500 (220V/60Hz)
Type of drive installed	External MSD or VSD
Type of heat recovery system	None
Nominal external pressure (Pa)	100
Maximum external leakage rates (%)	2.7
Static efficiency (%)	32.1
Effective electric power input (kW)	0.44
Declared typology	NRVU UVU
Sound power level (dB(A))	89