

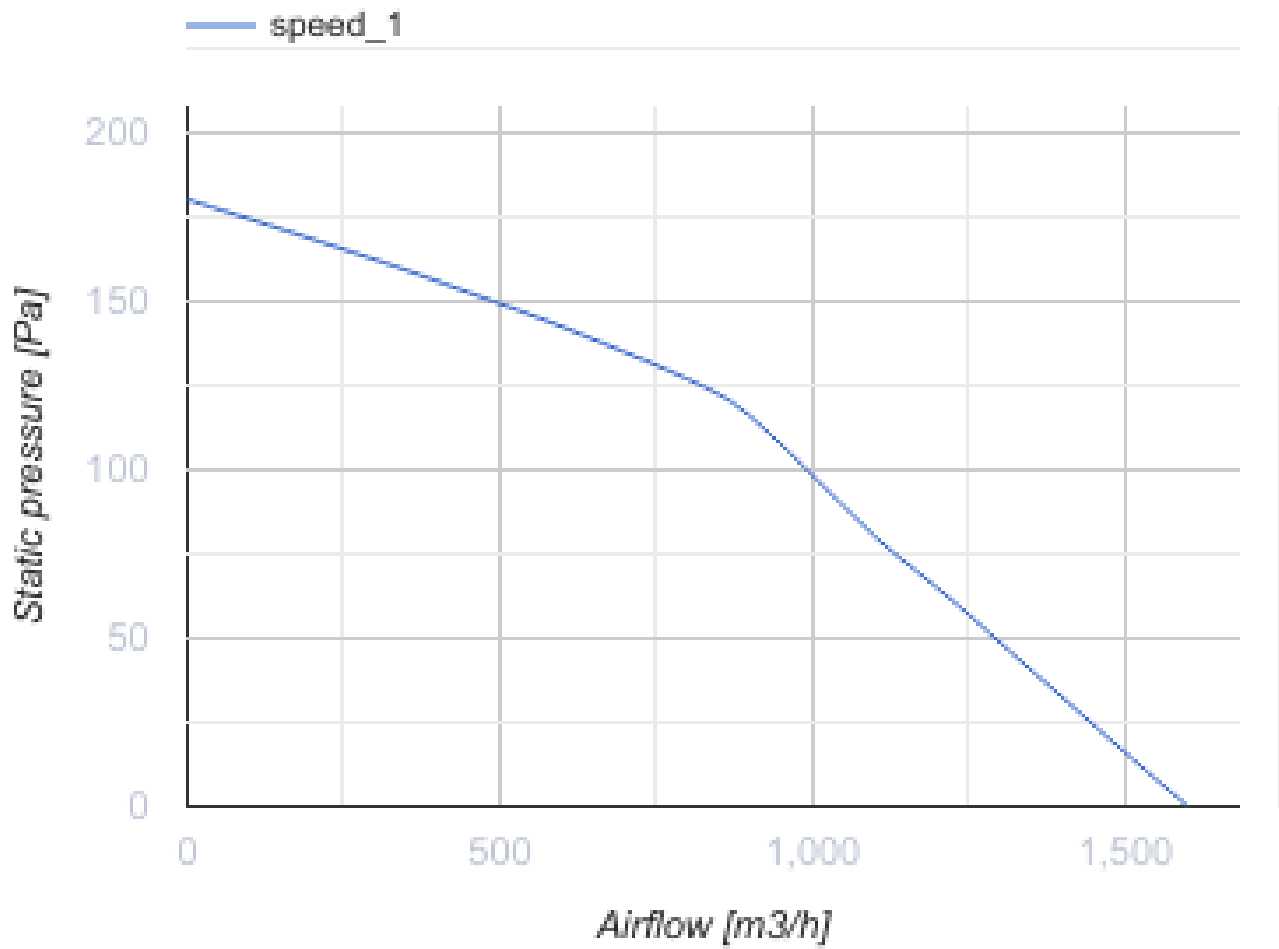
# OVK 200 S EC



Wall-mounted axial fans with EC-motors

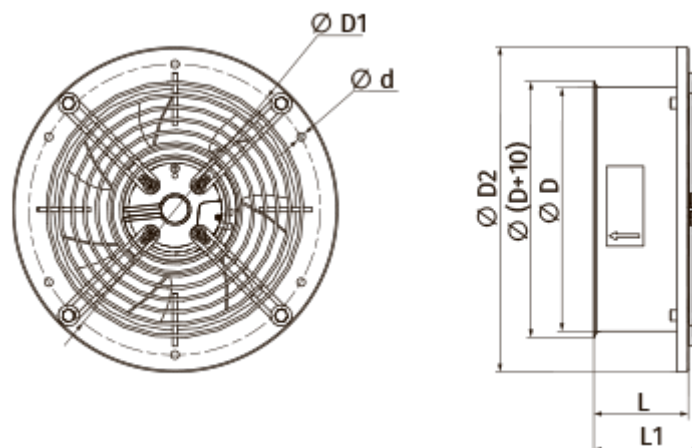
- Maximum airflow: 1600
- Sound pressure level LpA at 3 m: 54
- Motor type: EC
- Impeller type: Axial
- Casing material: Coated steel

	Unit of measurement	OVK 200 S EC
Phases	-	1
Minimum supply voltage	V	230
Maximum supply voltage	V	230
Power supply frequency	Hz	50/60
Rated power	W	115
Unit current	A	0.85
Maximum airflow	m <sup>3</sup> /h	1600
Sound pressure level LpA at 3 m	dB(A)	54
Weight	kg	1.7
Transported air temperature (max)	°C	60
Transported air temperature (min)	°C	-25
Ingress protection rating	-	IPX5
Ingress protection rating of the drive	-	IP55



### Dimensions

$\varnothing D$	$\varnothing D1$	$\varnothing D2$	$\varnothing d$	L	L1
210	250	280	7	81	93



## Accessories

### Speed controllers

Name	Photo	Description
<a href="#">R-1/010</a>		Speed controller for EC motors