

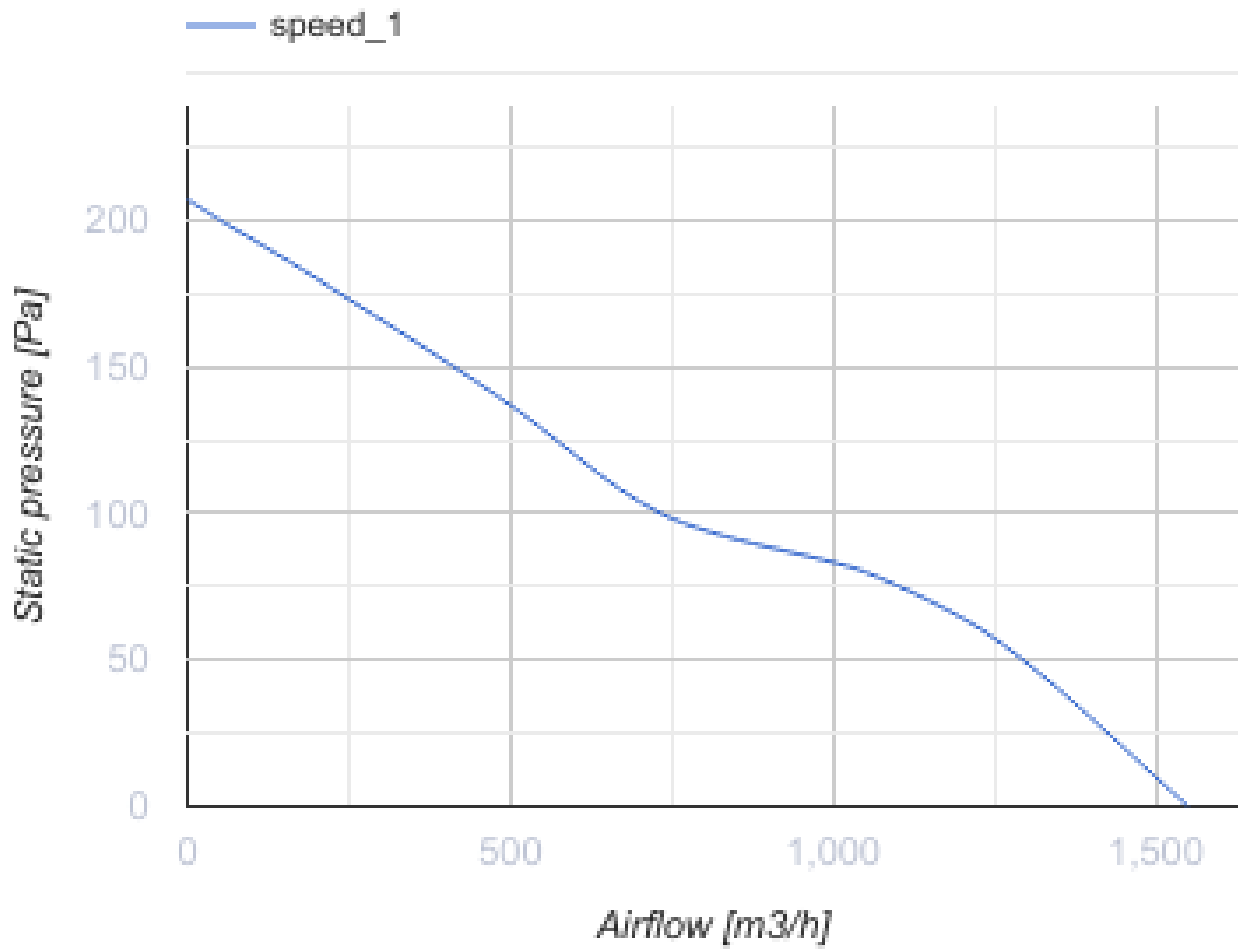
OVK 250 EC



Wall-mounted axial fans with EC-motors

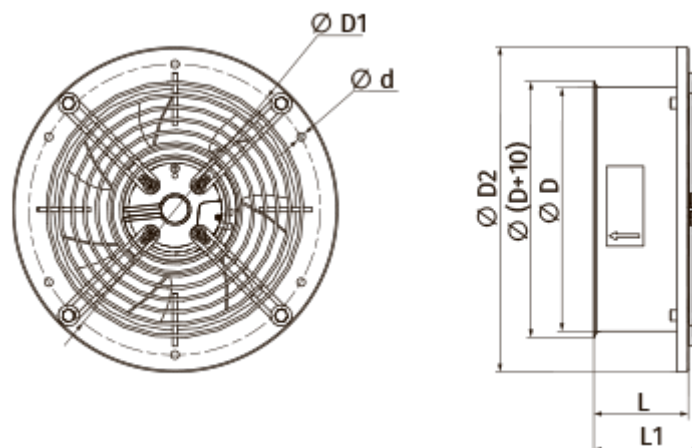
- Maximum airflow: 1550
- Sound pressure level LpA at 3 m: 50
- Motor type: EC
- Impeller type: Axial
- Casing material: Coated steel

	Unit of measurement	OVK 250 EC
Phases	-	1
Minimum supply voltage	V	230
Maximum supply voltage	V	230
Power supply frequency	Hz	50/60
Rated power	W	85
Unit current	A	0.61
Maximum airflow	m ³ /h	1550
Sound pressure level LpA at 3 m	dB(A)	50
Weight	kg	2
Transported air temperature (max)	°C	60
Transported air temperature (min)	°C	-25
Ingress protection rating	-	IPX5
Ingress protection rating of the drive	-	IP55



Dimensions

$\varnothing D$	$\varnothing D1$	$\varnothing D2$	$\varnothing d$	L	L1
262	318	340	7	81	93



Accessories

Speed controllers

Name	Photo	Description
R-1/010		Speed controller for EC motors