

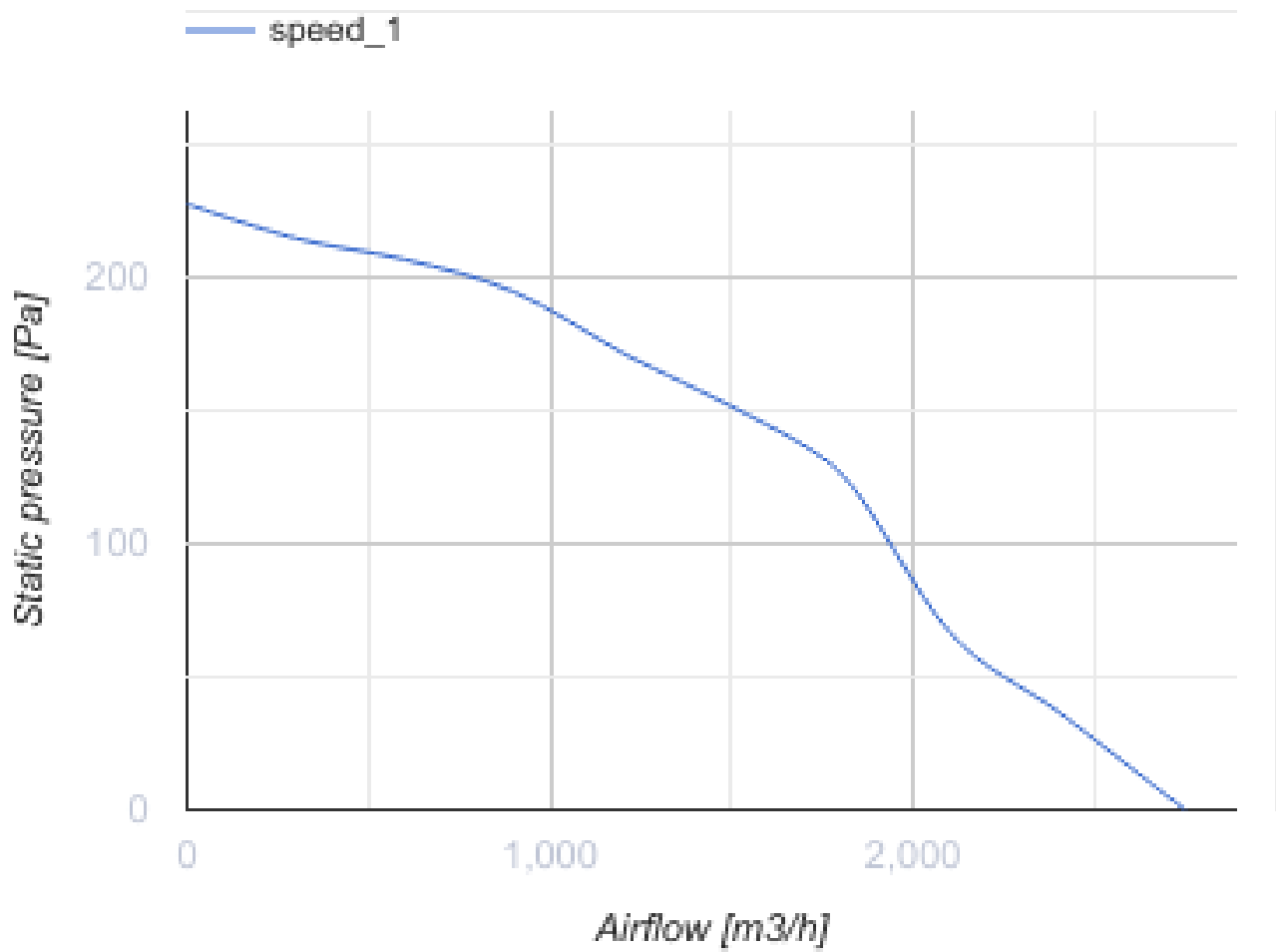
OVK 300 S EC



Wall-mounted axial fans with EC-motors

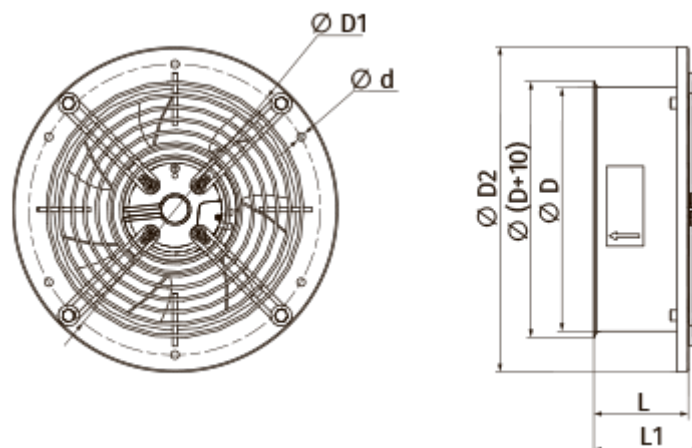
- Maximum airflow: 2750
- Sound pressure level LpA at 3 m: 57
- Motor type: EC
- Impeller type: Axial
- Casing material: Coated steel

	Unit of measurement	OVK 300 S EC
Phases	-	1
Minimum supply voltage	V	230
Maximum supply voltage	V	230
Power supply frequency	Hz	50/60
Rated power	W	210
Unit current	A	1.5
Maximum airflow	m ³ /h	2750
Sound pressure level LpA at 3 m	dB(A)	57
Weight	kg	2.8
Transported air temperature (max)	°C	60
Transported air temperature (min)	°C	-25
Ingress protection rating	-	IPX5
Ingress protection rating of the drive	-	IP55



Dimensions

$\varnothing D$	$\varnothing D1$	$\varnothing D2$	$\varnothing d$	L	L1
317	380	397	9	104	116



Accessories

Speed controllers

Name	Photo	Description
R-1/010		Speed controller for EC motors