

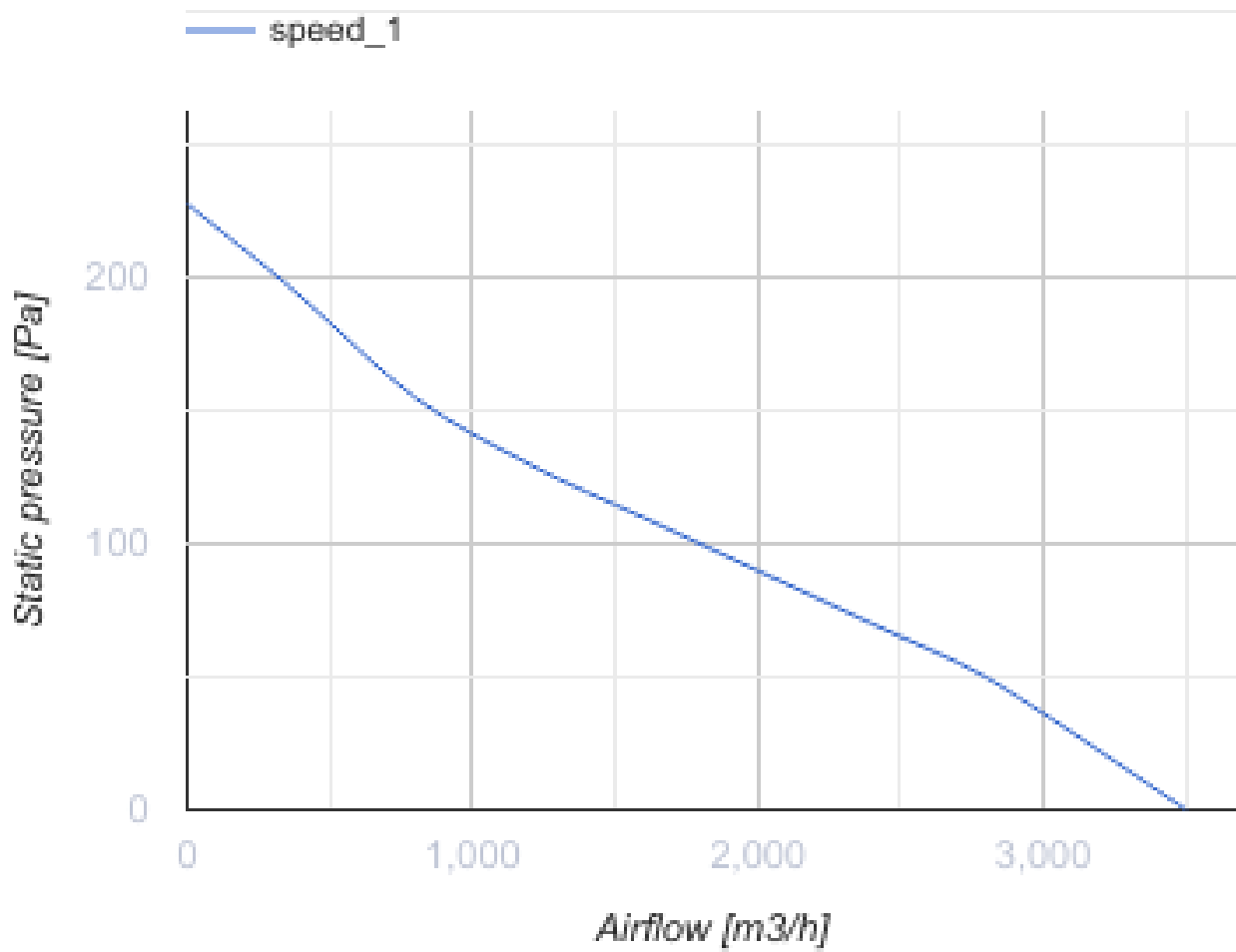
OVK 350 EC



Low pressure axial fans in the steel casing for wall and duct mounting

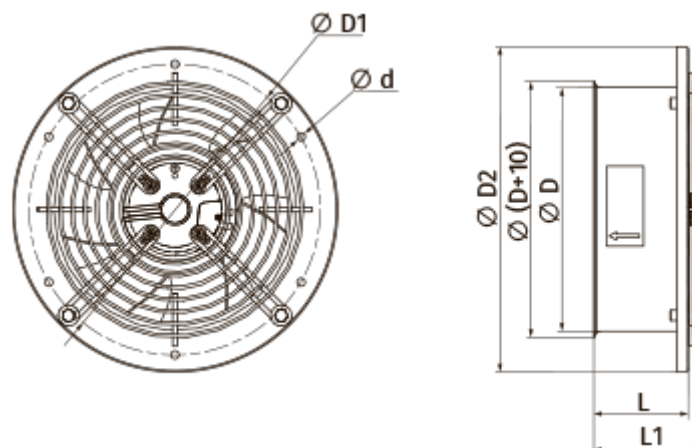
- Maximum airflow: 3500
- Sound pressure level LpA at 3 m: 58
- Motor type: EC
- Impeller type: Axial
- Casing material: Coated steel

	Unit of measurement	OVK 350 EC
Phases	-	1
Minimum supply voltage	V	230
Maximum supply voltage	V	230
Power supply frequency	Hz	50/60
Rated power	W	200
Unit current	A	1.4
Maximum airflow	m ³ /h	3500
Sound pressure level LpA at 3 m	dB(A)	58
Weight	kg	3.8
Transported air temperature (max)	°C	60
Transported air temperature (min)	°C	-25
Ingress protection rating	-	IPX5
Ingress protection rating of the drive	-	IP55



Dimensions

ØD	ØD1	ØD2	Ød	L	L1
374	442	460	9	97	157



Accessories

Speed controllers

Name	Photo	Description
R-1/010		Speed controller for EC motors