

# OVK 450 EC



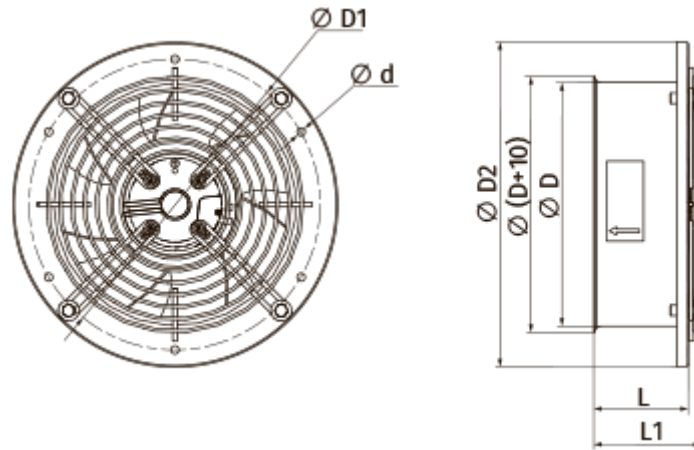
Low pressure axial fans in the steel casing for wall and duct mounting

- Maximum airflow: 7400
- Sound pressure level LpA at 3 m: 65
- Motor type: EC
- Impeller type: Axial
- Casing material: Coated steel

	Unit of measurement	OVK 450 EC
Phases	-	1
Minimum supply voltage	V	230
Maximum supply voltage	V	230
Power supply frequency	Hz	50/60
Rated power	W	380
Unit current	A	1.7
Maximum airflow	m <sup>3</sup> /h	7400
Sound pressure level LpA at 3 m	dB(A)	65
Weight	kg	6.3
Transported air temperature (max)	°C	60
Transported air temperature (min)	°C	-25
Ingress protection rating	-	IPX5
Ingress protection rating of the drive	-	IP55


## Dimensions

ØD	ØD1	ØD2	Ød	L	L1
470	578	607	11	176	294



## Accessories

### Speed controllers

Name	Photo	Description
<a href="#">R-1/010</a>		Speed controller for EC motors