

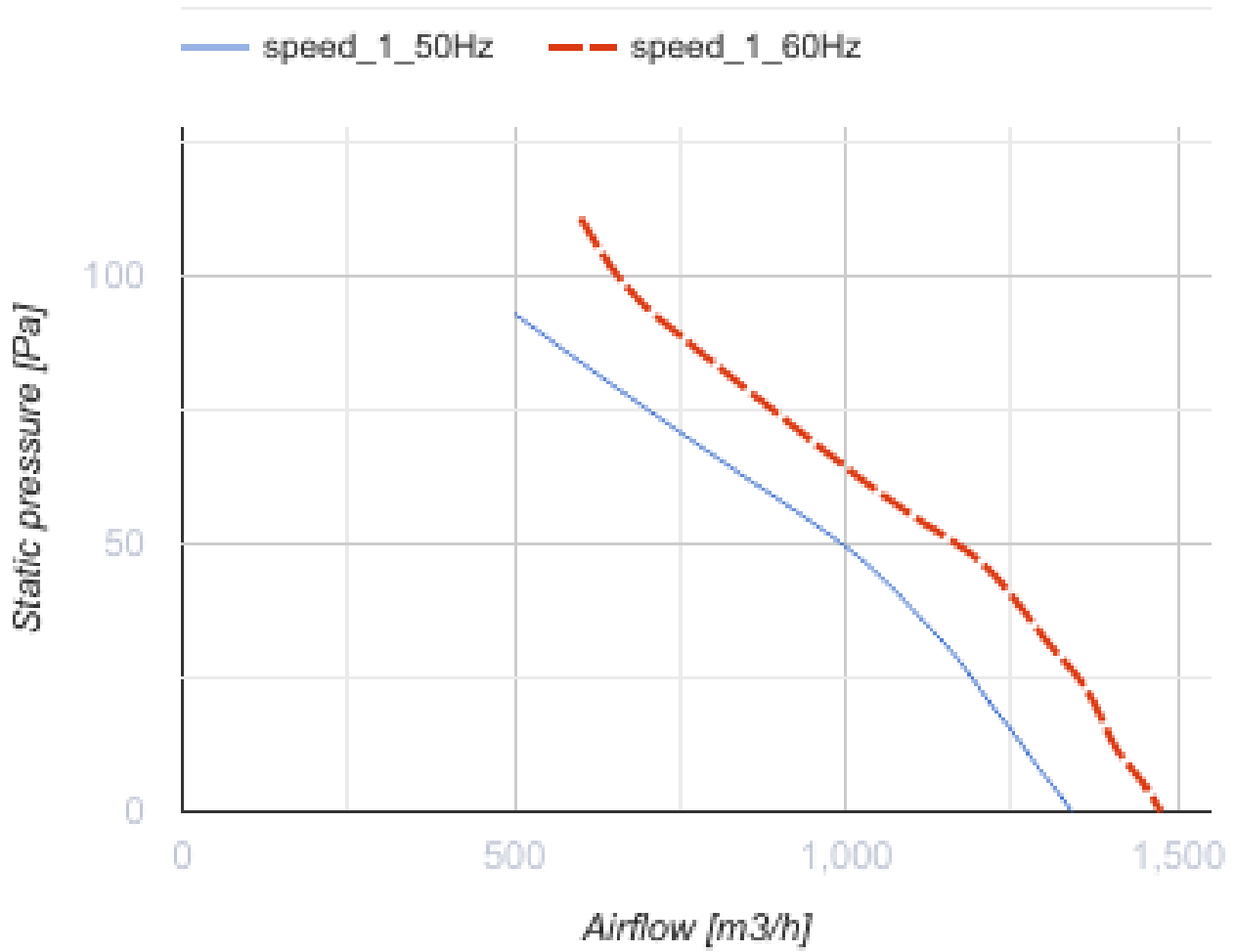
OVK 4E 300

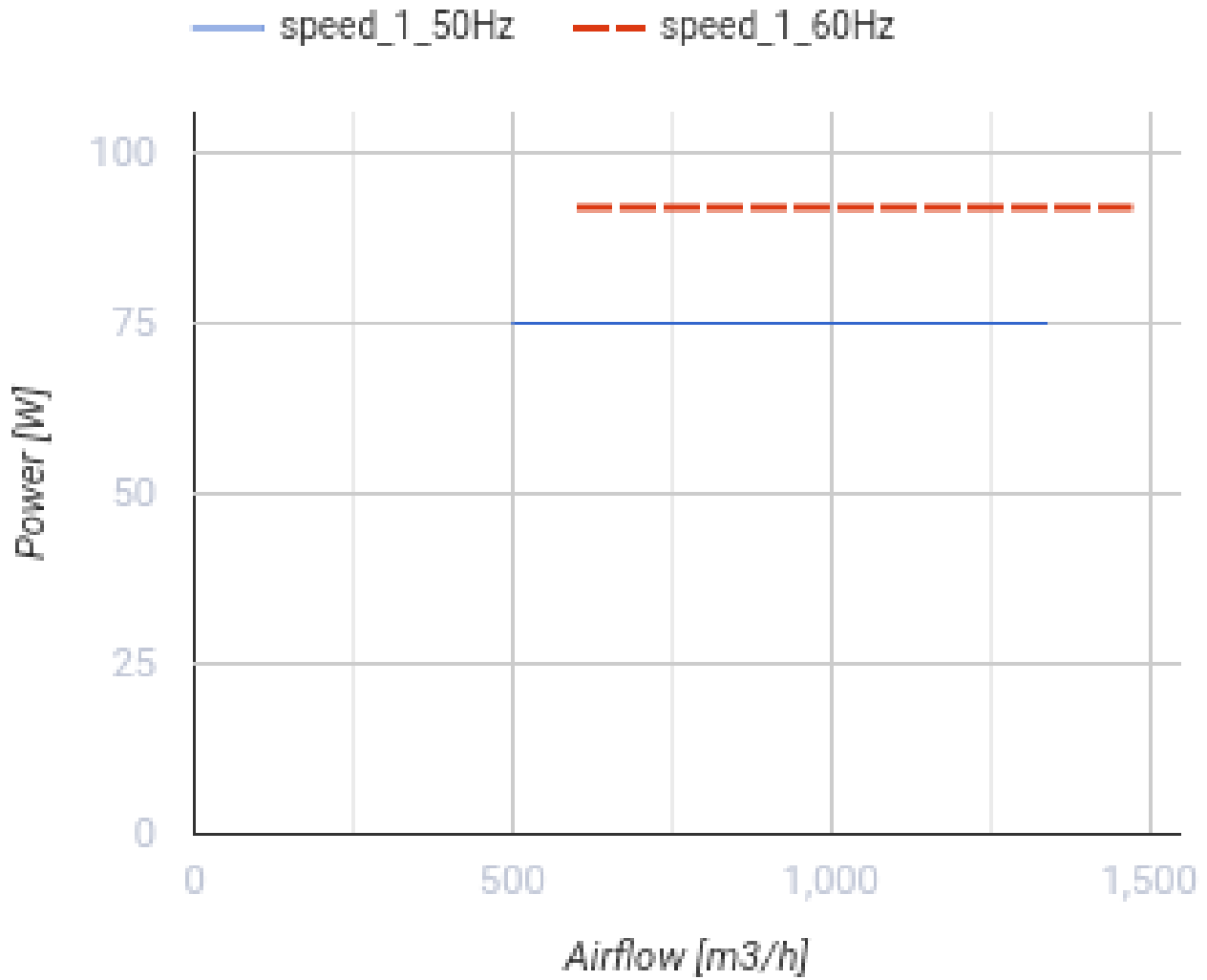


Low pressure axial fans in the steel casing for wall mounting

- Maximum airflow: 1340
- Sound pressure level LpA at 3 m: 44
- Motor type: AC
- Impeller type: Axial
- Casing material: Polypropylene/Thermoplastic elastomer
- Installation in any position

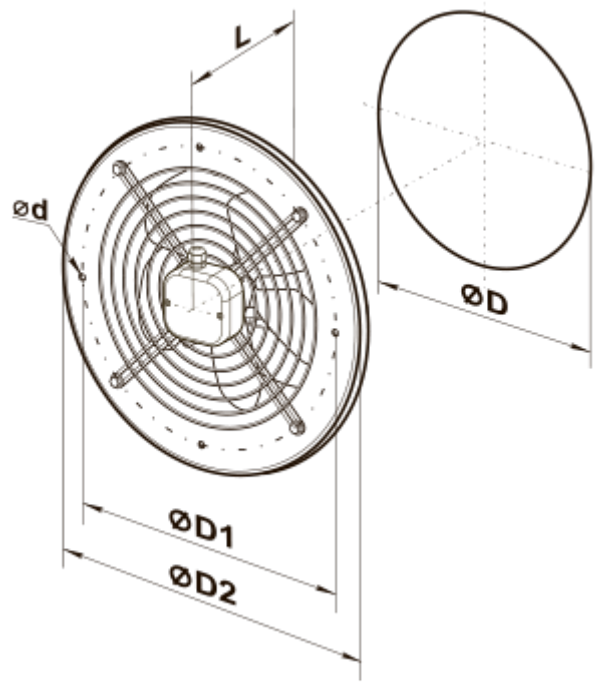
	Unit of measurement	OVK 4E 300
Connected air duct size	mm	300
Speed	-	1
Minimum supply voltage	V	220
Maximum supply voltage	V	240
Power supply frequency	Hz	50/60
Rated power	W	75
Unit current	A	0.35
Maximum airflow	m ³ /h	1340
Sound pressure level LpA at 3 m	dB(A)	44
Weight	kg	5
Transported air temperature (max)	°C	60
Transported air temperature (min)	°C	-30
Ingress protection rating	-	IP24





Dimensions

ØD	ØD1	ØD2	Ød	L
317	380	397	9	145



Ecodesign

Trademark	Vents
Model	OVK 4E 300
Type of drive installed	External MSD or VSD
Type of heat recovery system	None
Nominal flow rate (m ³ /s)	0.185
Nominal external pressure (Pa)	79
Maximum external leakage rates (%)	2.7
Static efficiency (%)	15.7
Declared typology	NRVU UVU
Effective electric power input (kW)	0.095
Sound power level (dB(A))	78