

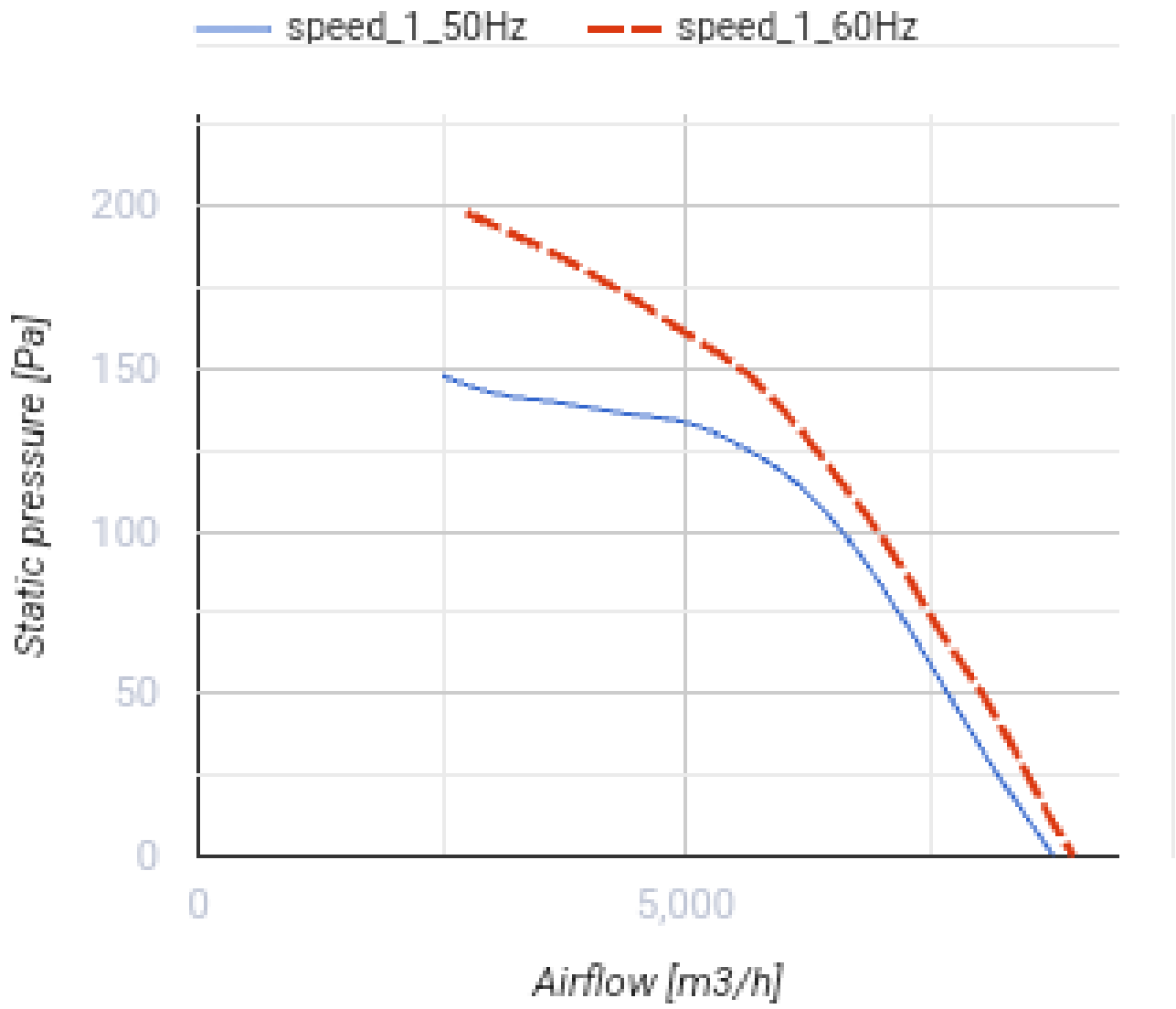
OVK 4E 550

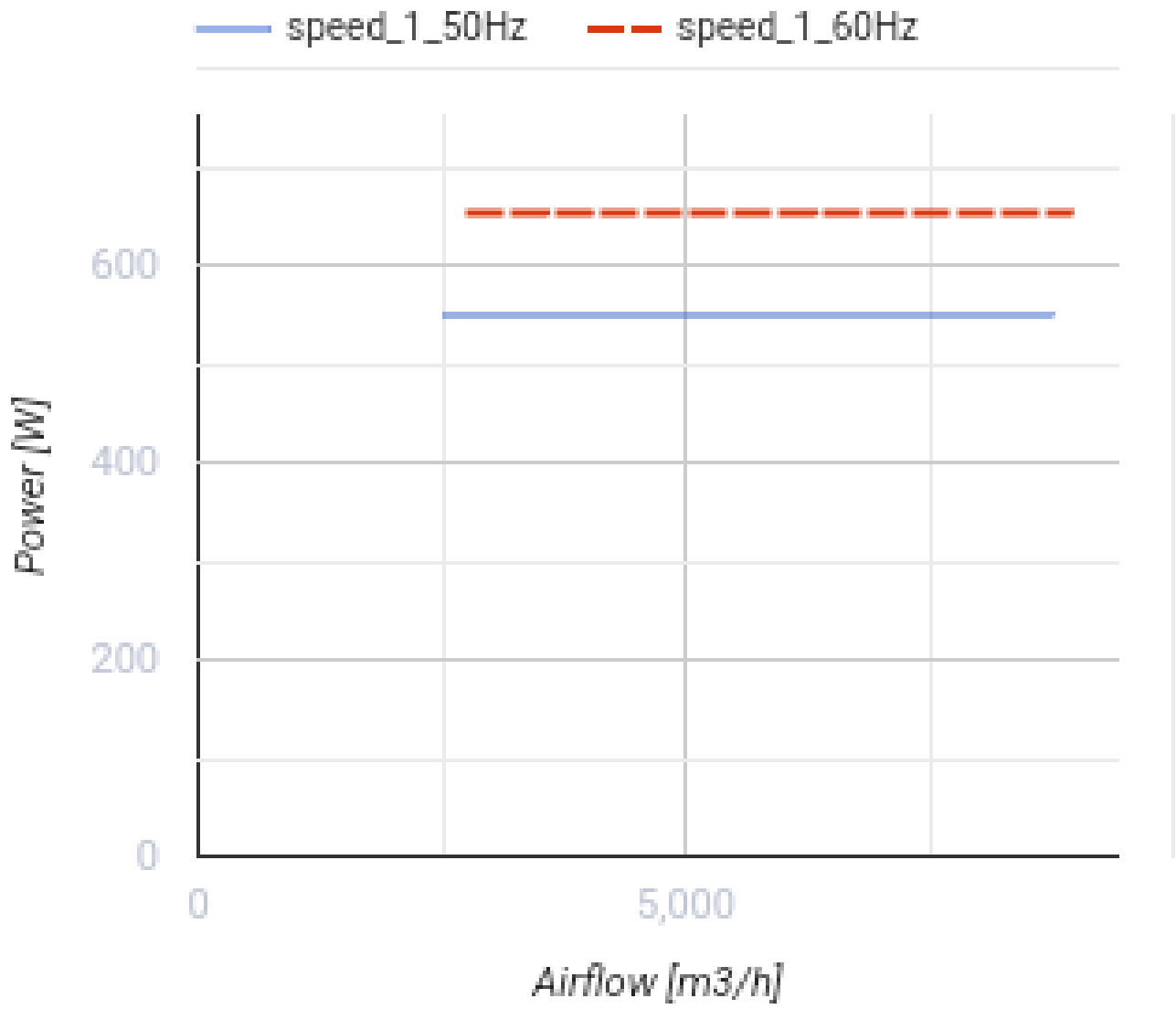


Low pressure axial fans in the steel casing for wall mounting

- Maximum airflow: 8800
- Sound pressure level LpA at 3 m: 62
- Motor type: AC
- Impeller type: Axial
- Casing material: Polypropylene/Thermoplastic elastomer
- Installation in any position

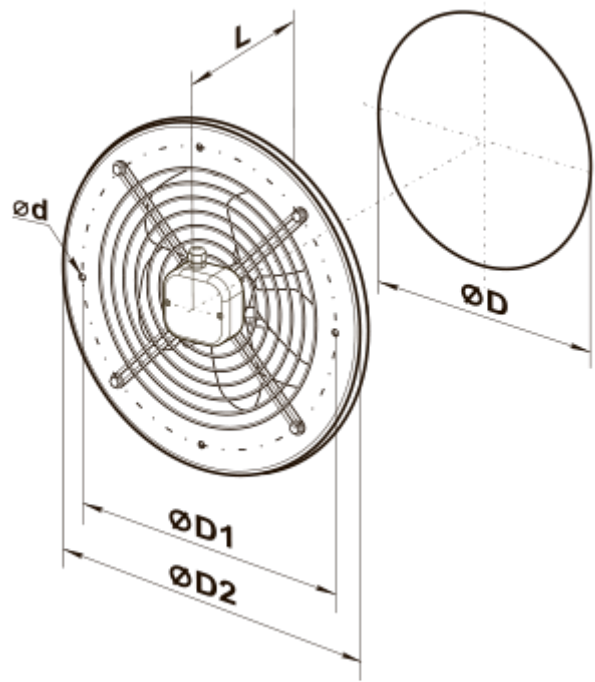
	Unit of measurement	OVK 4E 550
Connected air duct size	mm	550
Speed	-	1
Minimum supply voltage	V	220
Maximum supply voltage	V	240
Power supply frequency	Hz	50/60
Rated power	W	550
Unit current	A	2.55
Maximum airflow	m ³ /h	8800
Sound pressure level LpA at 3 m	dB(A)	62
Weight	kg	16.5
Transported air temperature (max)	°C	60
Transported air temperature (min)	°C	-30
Ingress protection rating	-	IP24





Dimensions

∅D	∅D1	∅D2	∅d	L
570	645	710	11	260



Ecodesign

Trademark	Vents
Model	OVK 4E 550
Type of drive installed	External MSD or VSD
Type of heat recovery system	None
Nominal flow rate (m ³ /s)	1.644
Nominal external pressure (Pa)	120
Maximum external leakage rates (%)	2.7
Static efficiency (%)	34.7
Declared typology	NRVU UVU
Effective electric power input (kW)	0.581
Sound power level (dB(A))	90