

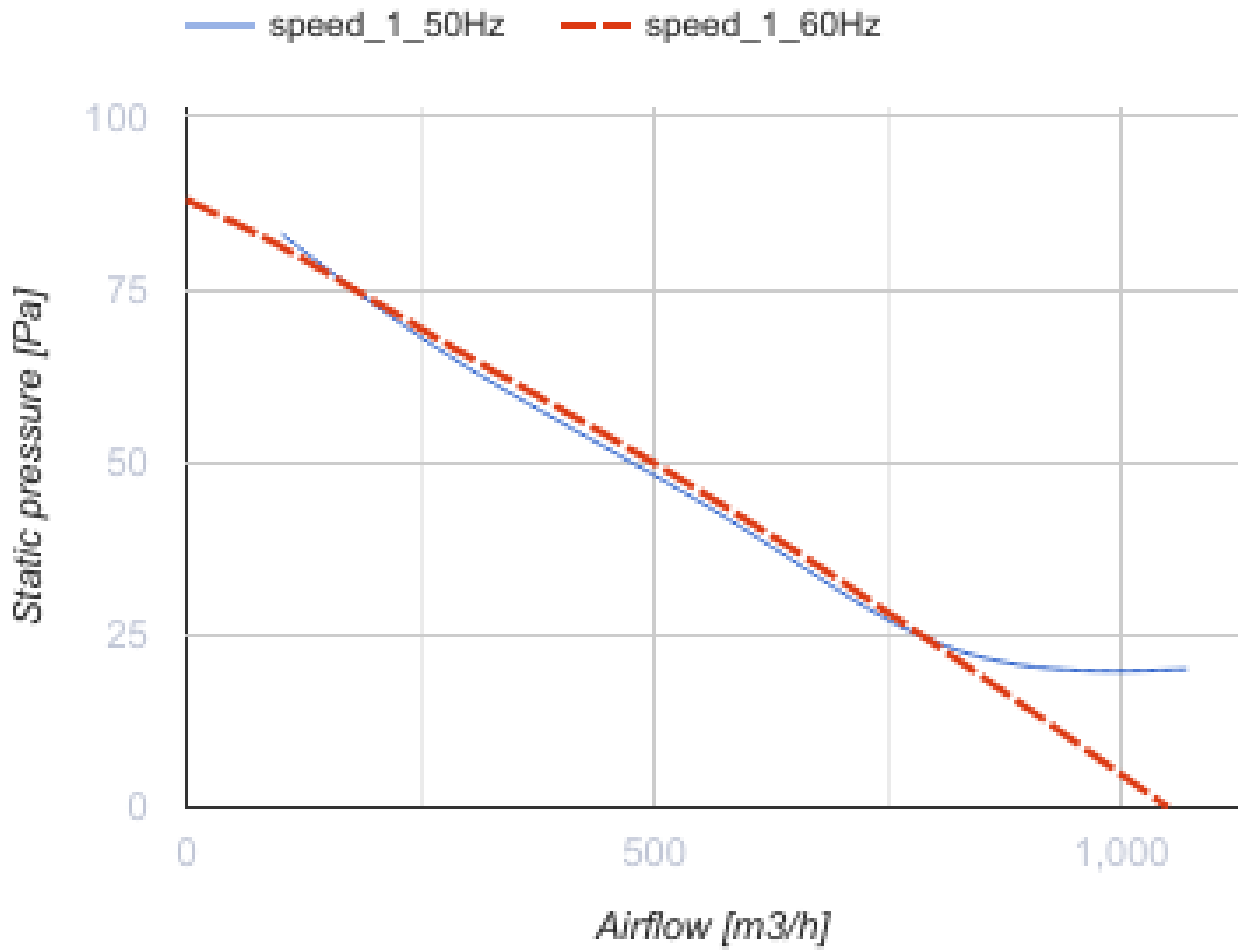
OVK1 250

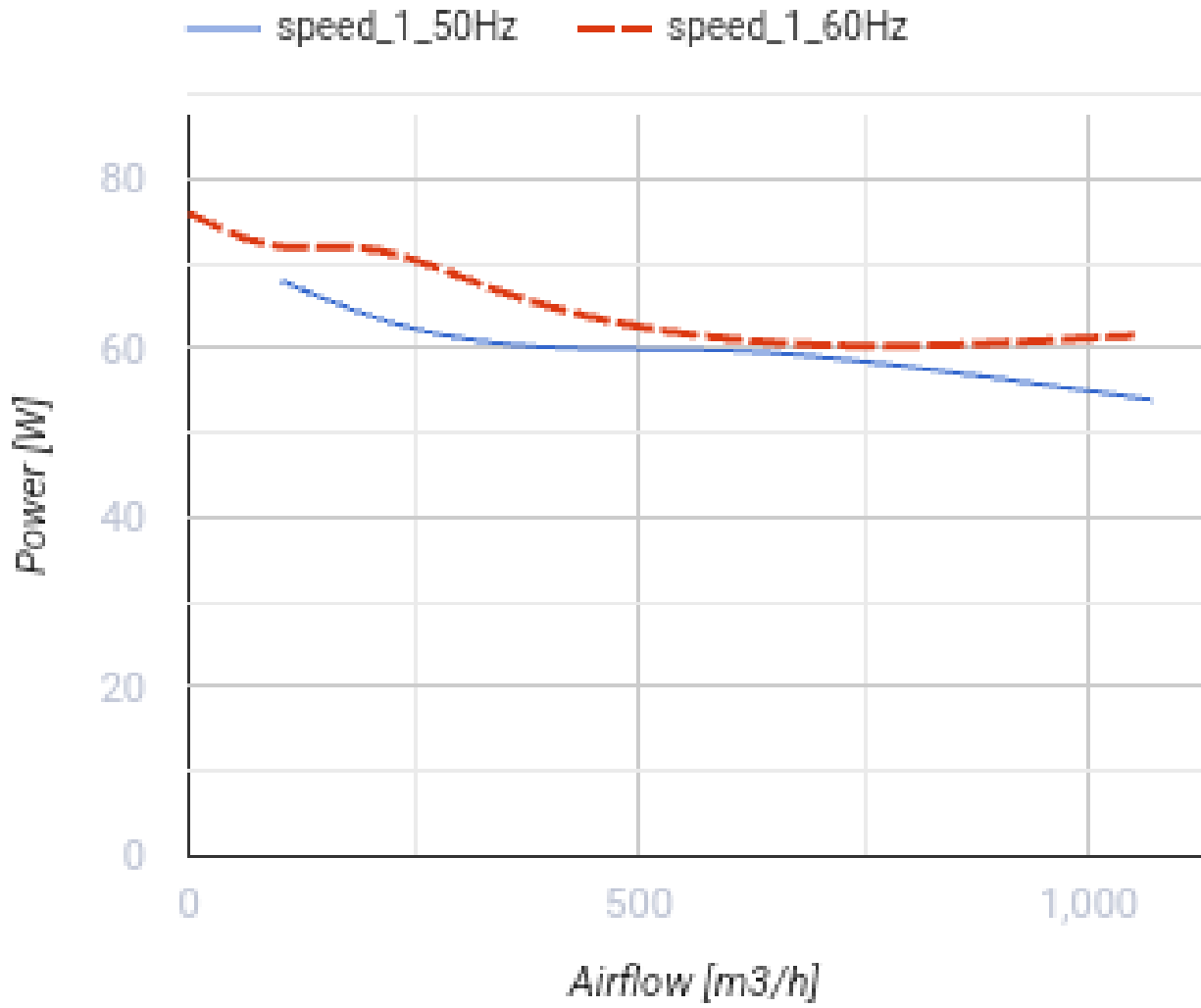


Low pressure axial fans in the steel casing for wall mounting

- Maximum airflow: 1070
- Sound pressure level LpA at 3 m: 37
- Motor type: AC
- Impeller type: Axial
- Casing material: Polypropylene/Thermoplastic elastomer
- Installation in any position

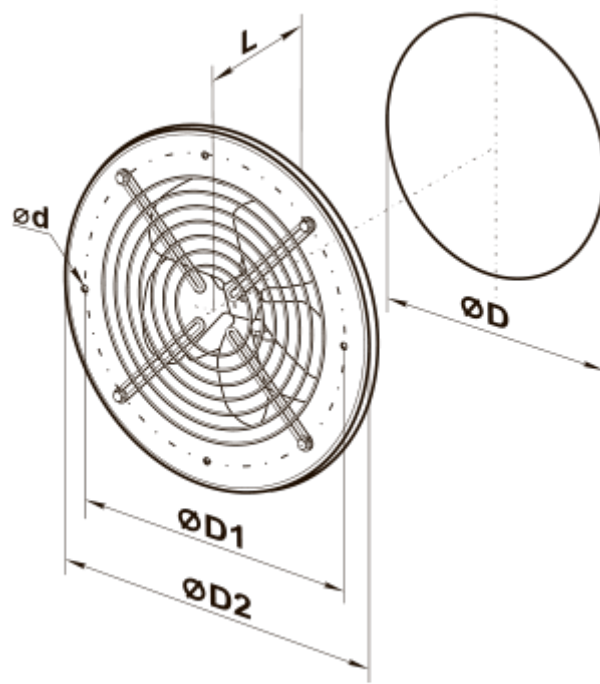
	Unit of measurement	OVK1 250
Connected air duct size	mm	250
Speed	-	1
Minimum supply voltage	V	220
Maximum supply voltage	V	240
Power supply frequency	Hz	50/60
Rated power	W	68
Unit current	A	0.48
Maximum airflow	m ³ /h	1070
Sound pressure level LpA at 3 m	dB(A)	37
Weight	kg	3
Transported air temperature (max)	°C	40
Transported air temperature (min)	°C	-30
Ingress protection rating	-	IP24
Ingress protection rating of the drive	-	IP44





Dimensions

ØD	ØD1	ØD2	Ød	L
262	330	360	7	140



Ecodesign

Trademark	Vents
Model	OVK1 250
Type of drive installed	External MSD or VSD
Type of heat recovery system	None
Nominal flow rate (m ³ /s)	0.115
Nominal external pressure (Pa)	55
Maximum external leakage rates (%)	2.7
Static efficiency (%)	9.3
Declared typology	NRVU UVU
Effective electric power input (kW)	0.069
Sound power level (dB(A))	68