

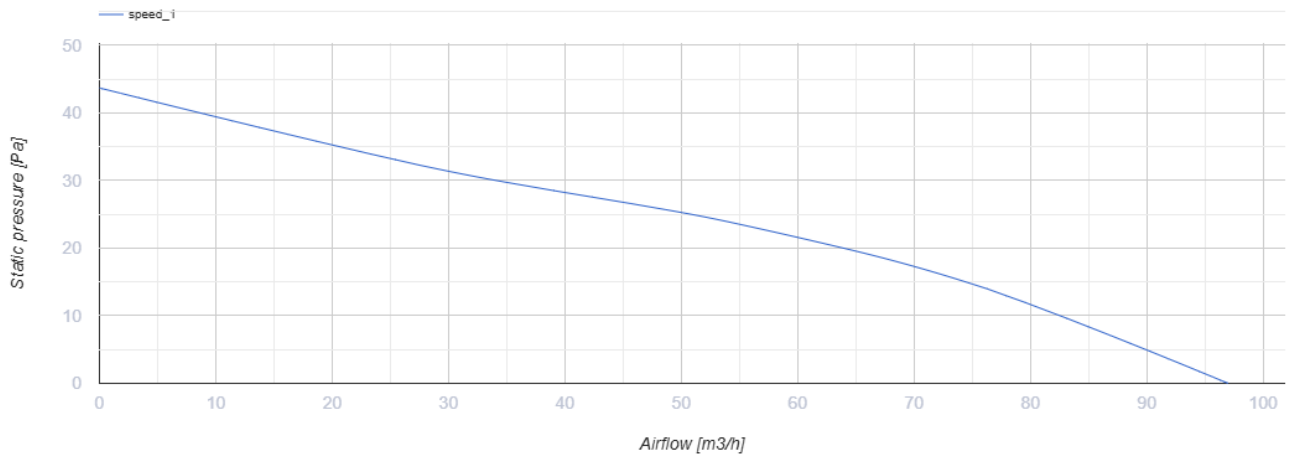
Quiet 100 VT



Axial exhaust fans Quiet feature low noise and high performance

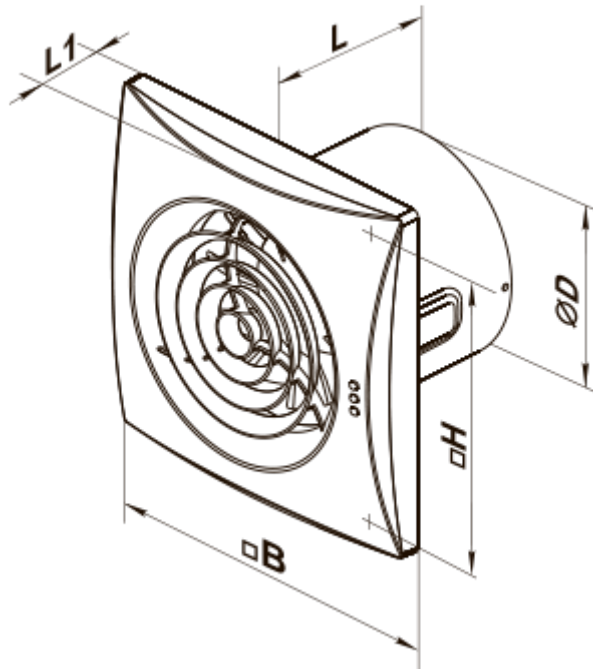
- Maximum airflow: 97
- Sound pressure level LpA at 3 m: 25
- Motor type: AC
- Casing material: Plastic
- Backdraft protection: Backdraft damper
- Pull cord
- Timer: Turn off timer

	Unit of measurement	Quiet 100 VT
Connected air duct size	mm	100
Speed	-	1
Minimum supply voltage	V	220
Maximum supply voltage	V	240
Power supply frequency	Hz	50
Rated power	W	7.5
Unit current	A	0.049
Maximum airflow	m ³ /h	97
Sound pressure level LpA at 3 m	dB(A)	25
Weight	kg	0.55
Ambient air temperature min	°C	1
Ambient air temperature max	°C	40
Ingress protection rating	-	IP45

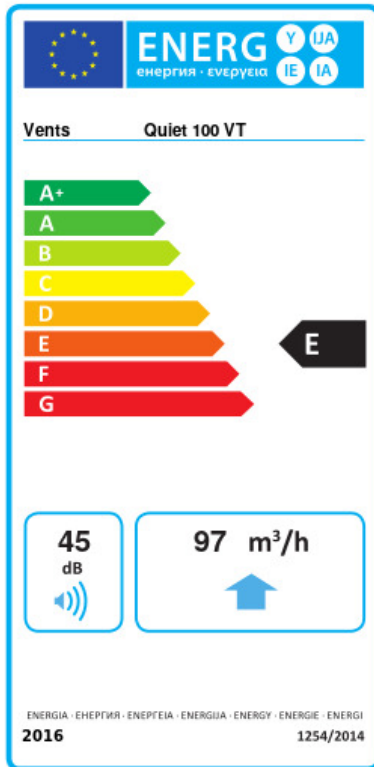


Dimensions

ØD	B	H	L	L1
99	158	136	81	26



Ecodesign



Trademark	Vents					
Model	Quiet 100 VT					
Specific energy consumption (SEC) (kWh/(m ² /a))	Cold		Average		Warm	
	-34.4	A	-16.4	E	-6.2	F
Type of ventilation unit	Unidirectional					
Type of drive installed	Single speed					
Type of heat recovery system	None					
Maximum flow rate (m ³ /h)	97					
Electric power input (W)	7.5					
Reference flow rate (m ³ /s)	0.019					
Specific power input (SPI) (W/(m ³ /h))	0.077					
Control typology	Clock control					
Maximum external leakage rates (%)	2.7					
Sound power level (dB(A))	45					
Declared typology	RVU UVU					
The annual electricity consumption (AEC) (kWh/a)	Cold		Average		Warm	
	92		92		92	
The annual heating saved (AHS) (kWh/a)	Cold		Average		Warm	
	3667		1874		848	