

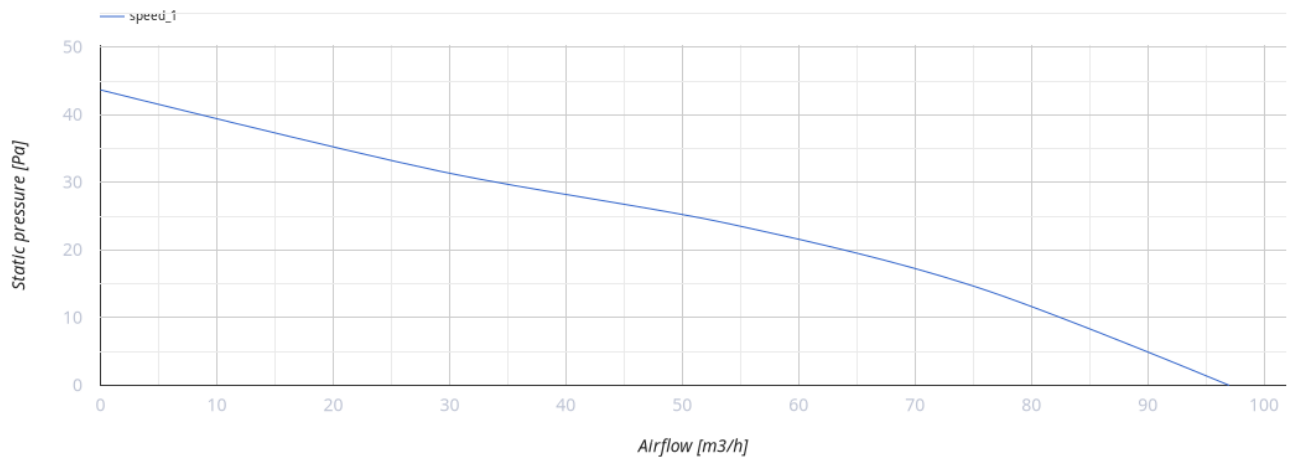
# Quiet-Disc 100 TP



Extra quiet axial extract fans with low power consumption

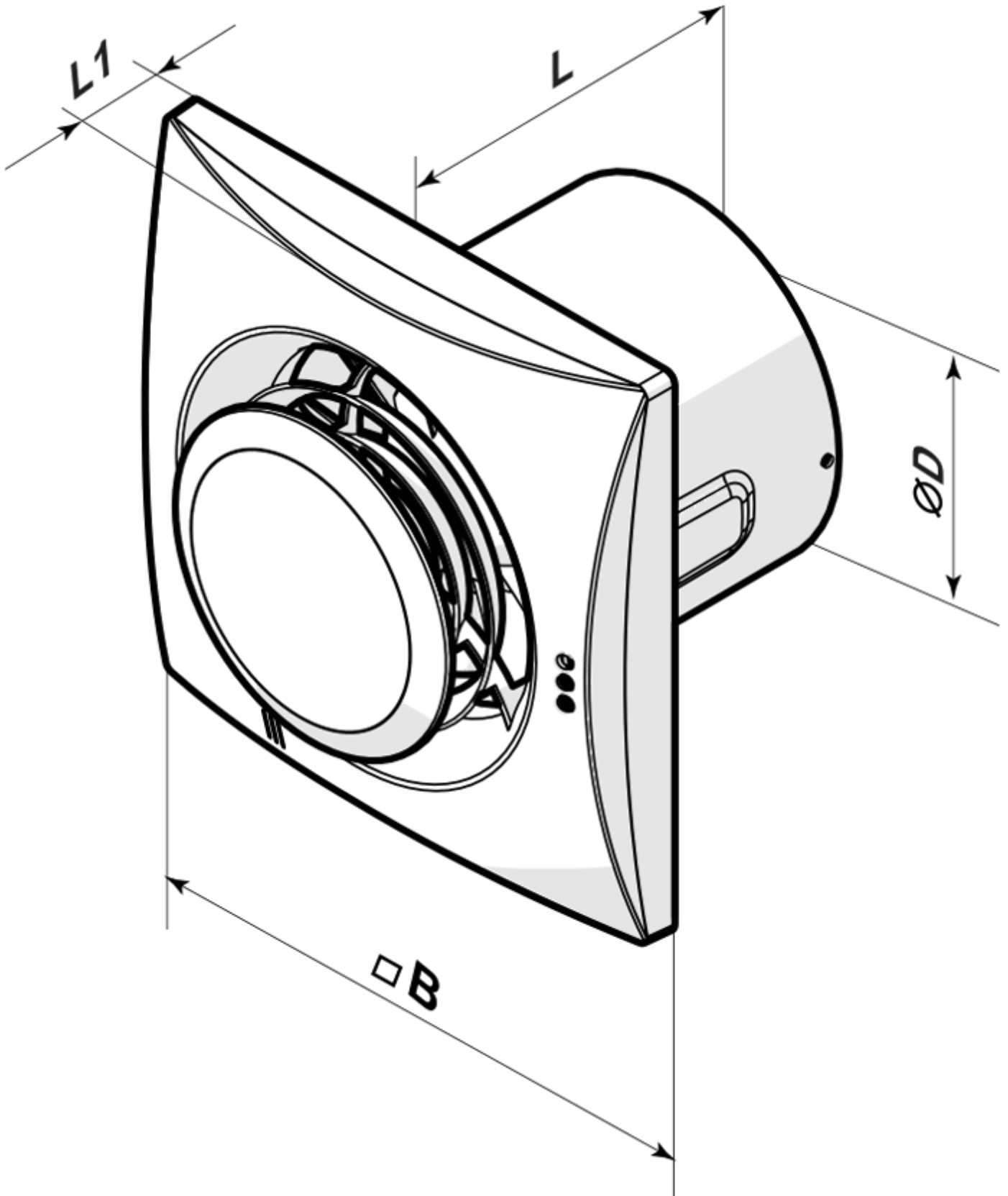
- Maximum airflow: 97
- Sound pressure level LpA at 3 m: 25
- Motor type: AC
- Casing material: Polypropylene/Thermoplastic elastomer
- Backdraft protection: Backdraft damper
- Motion sensor
- Timer: Turn off timer

	Unit of measurement	Quiet-Disc 100 TP
Connected air duct size	mm	100
Speed	-	1
Minimum supply voltage	V	220
Maximum supply voltage	V	240
Power supply frequency	Hz	50
Rated power	W	7.5
Unit current	A	0.049
Maximum airflow	m <sup>3</sup> /h	97
Sound pressure level LpA at 3 m	dB(A)	25
Weight	kg	0.55
Ambient air temperature min	°C	1
Ambient air temperature max	°C	40
Ingress protection rating	-	IP45



## Dimensions

<b>ØD</b>	<b>B</b>	<b>H</b>	<b>L</b>	<b>L1</b>
99	158	136	81	26



## Accessories

### Flanges

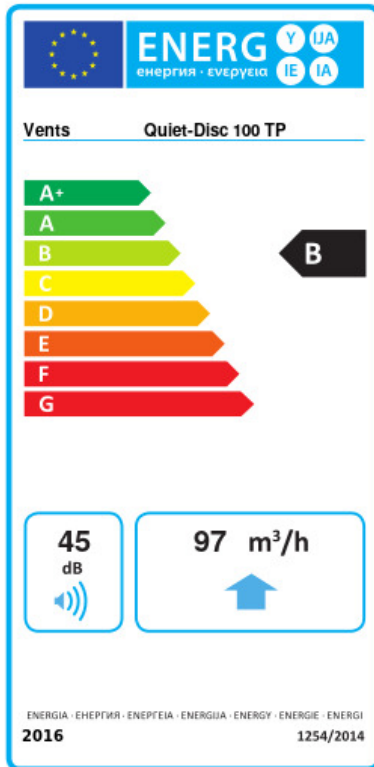
Name	Photo	Description
------	-------	-------------

[FO\\_100](#)



The window flange applicable for all VENTS fans except for VKO, VKO1, iFan, Quiet, MAO, CF

## Ecodesign



Trademark	Vents					
Model	Quiet-Disc 100 TP					
Specific energy consumption (SEC) (kWh/(m <sup>2</sup> /a))	Cold		Average		Warm	
	-53.8	A+	-26.7	B	-11.2	E
Type of ventilation unit	Unidirectional					
Type of drive installed	Single speed					
Type of heat recovery system	None					
Maximum flow rate (m <sup>3</sup> /h)	97					
Electric power input (W)	7.5					
Reference flow rate (m <sup>3</sup> /s)	0.019					
Specific power input (SPI) (W/(m <sup>3</sup> /h))	0.077					
Control typology	Local demand control					
Maximum external leakage rates (%)	2.7					
Sound power level (dB(A))	45					
Declared typology	RVU UVU					
The annual electricity consumption (AEC) (kWh/a)	Cold		Average		Warm	
	63		63		63	
The annual heating saved (AHS) (kWh/a)	Cold		Average		Warm	
	5536		2830		1280	