

Quiet Extra 150 VT



Innovative axial low-noise and energy-saving fan for exhaust ventilation

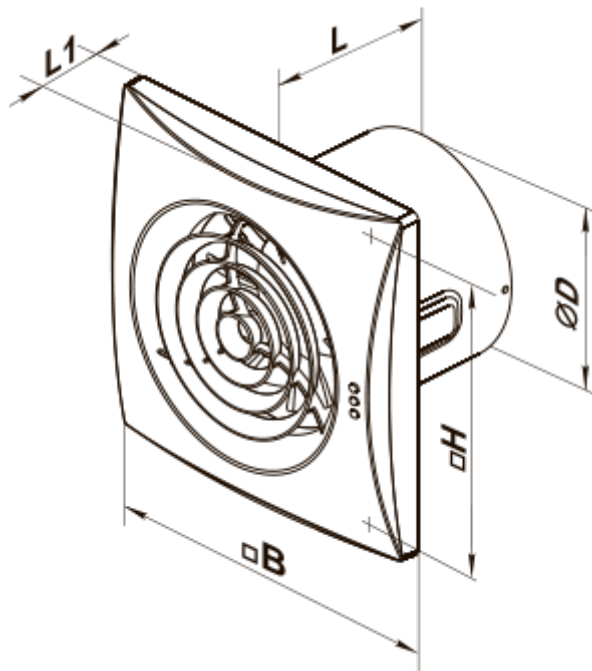
- Maximum airflow: 370
- Sound pressure level LpA at 3 m: 38
- Motor type: AC
- Casing material: Plastic
- Backdraft protection: Backdraft damper
- Pull cord
- Timer: Turn off timer

	Unit of measurement	Quiet Extra 150 VT	
Connected air duct size	mm	150	
Speed	-	2	
Minimum supply voltage	V	220	
Maximum supply voltage	V	240	
Power supply frequency	Hz	50/60	
Rated power	W	19	22
Unit current	A	0.09	0.1
Maximum airflow	m ³ /h	280	370
Sound pressure level LpA at 3 m	dB(A)	32	38
Weight	kg	1.33	
Ambient air temperature min	°C	1	
Ambient air temperature max	°C	40	
Ingress protection rating	-	IP45	
ErP compliance	-	2016	
Cold - Specific energy consumption (SEC)	kWh/(m ² /a)	34.7	
SEC Class Cold	-	A	
Average - Specific energy consumption (SEC)	kWh/(m ² /a)	16.7	
SEC Class Average	-	E	
Warm - Specific energy consumption (SEC)	kWh/(m ² /a)	6.5	
SEC Class Warm	-	F	
Unit category	-	RVU	

Type of ventilation unit	-	Unidirectional
Type of drive installed	-	2-speed
Type of heat recovery system	-	None
Maximum flow rate	m ³ /h	370
Electric power input	W	22
Reference flow rate	m ³ /s	0.078
Specific power input (SPI)	W/(m ³ /h)	0.068
Control typology	-	Clock control
Maximum external leakage rates	%	2.7
Cold - The annual electricity consumption (AEC)	kWh/a	80
Average - The annual electricity consumption (AEC)	kWh/a	80
Warm - Jährlicher Stromverbrauch (JSV)	kWh/a	80
Cold - The annual heating saved (AHS)	kWh/a	3667
The annual heating saved (AHS) Average	kWh/a	1874
The annual heating saved (AHS) Warm	kWh/a	848
Sound power level	dB(A)	52
Declared typology	-	RVU UVU

Dimensions

ØD	B	H	L	L1
147.5	214	190	111	32



Accessories

Cooker Hoods

Name	Photo	Description
FO 150		The window flange applicable for all VENTS fans except for VKO, VKO1, iFan, Quiet, MAO, CF