

Quiet-Mild 100 DC TP

Updated version of low-noise axial fans with DC motors for low energy consumption

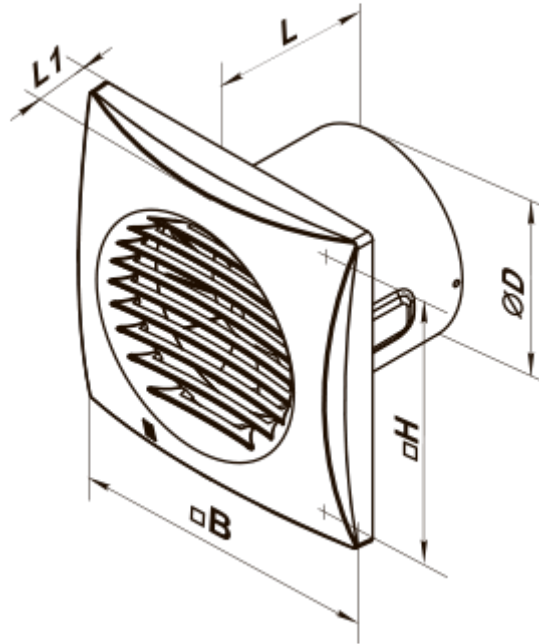


- Maximum airflow: 101
- Sound pressure level LpA at 3 m: 27
- Motor type: DC
- Casing material: Plastic
- Backdraft protection: Backdraft damper
- Motion sensor
- Timer: Turn off timer

	Unit of measurement	Quiet-Mild 100 DC TP	
Connected air duct size	mm	100	
Speed	-	2	
Minimum supply voltage	V	220	
Maximum supply voltage	V	240	
Power supply frequency	Hz	50/60	
Rated power	W	1.5	3.5
Unit current	A	0.063	0.137
Maximum airflow	m ³ /h	70	101
rotation speed at 50hz	-	1850	2650
Sound pressure level LpA at 3 m	dB(A)	22	27
Weight	kg	0.55	
Ambient air temperature min	°C	1	
Ambient air temperature max	°C	40	
Ingress protection rating	-	IP45	


Dimensions

ØD	B	H	L	L1
99	158	136	81	26



Accessories

Cooker Hoods

Name	Photo	Description
FO_100		The window flange applicable for all VENTS fans except for VKO, VKO1, iFan, Quiet, MAO, CF