

Quiet-Mild 100 Duo T

Axial exhaust fans Quiet-Mild feature low noise and high performance. Another feature they have is high water ingress protection rating IP45, which allows them to be installed in humid premises



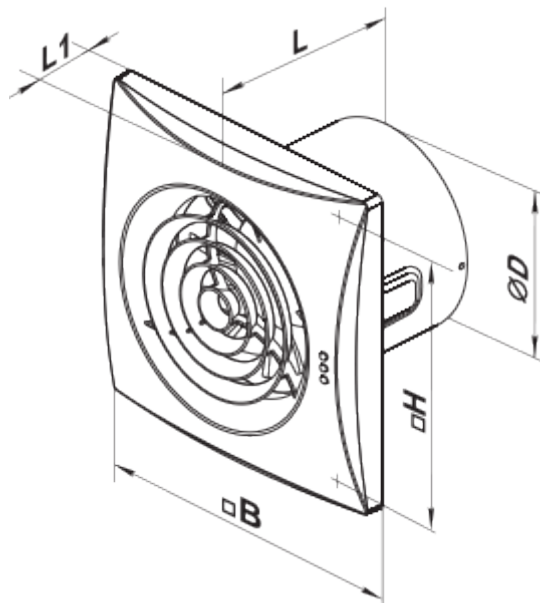
- Maximum airflow: 90
- Sound pressure level LpA at 3 m: 25
- Motor type: AC
- Casing material: Plastic
- Backdraft protection: Backdraft damper
- Timer: Turn off timer

	Unit of measurement	Quiet-Mild 100 Duo T	
Connected air duct size	mm	100	
Speed	-	2	
Minimum supply voltage	V	220	
Maximum supply voltage	V	240	
Power supply frequency	Hz	50/60	
Rated power	W	4.5	7
Unit current	A	0.029	0.052
Maximum airflow	m ³ /h	60	90
Sound pressure level LpA at 3 m	dB(A)	22	25
Weight	kg	0.55	
Ambient air temperature min	°C	1	
Ambient air temperature max	°C	45	
Ingress protection rating	-	IP45	
ErP compliance	-	2016	
Cold - Specific energy consumption (SEC)	kWh/(m ² /a)	34.5	
SEC Class Cold	-	A	
Average - Specific energy consumption (SEC)	kWh/(m ² /a)	16.5	
SEC Class Average	-	E	
Warm - Specific energy consumption (SEC)	kWh/(m ² /a)	6.3	
SEC Class Warm	-	F	
Unit category	-	RVU	

Type of ventilation unit	-	Unidirectional
Type of drive installed	-	2-speed
Type of heat recovery system	-	None
Maximum flow rate	m ³ /h	90
Electric power input	W	7
Reference flow rate	m ³ /s	0.017
Specific power input (SPI)	W/(m ³ /h)	0.075
Control typology	-	Clock control
Maximum external leakage rates	%	2.7
Cold - The annual electricity consumption (AEC)	kWh/a	88
Average - The annual electricity consumption (AEC)	kWh/a	88
Warm - Jährlicher Stromverbrauch (JSV)	kWh/a	88
Cold - The annual heating saved (AHS)	kWh/a	3667
The annual heating saved (AHS) Average	kWh/a	1874
The annual heating saved (AHS) Warm	kWh/a	848
Sound power level	dB(A)	42
Declared typology	-	RVU UVU


Dimensions

ØD	B	H	L	L1
99	158	136	81	26



Accessories

Cooker Hoods

Name	Photo	Description
FO_100		The window flange applicable for all VENTS fans except for VKO, VKO1, iFan, Quiet, MAO, CF