

Quiet-Mild 100 Duo V



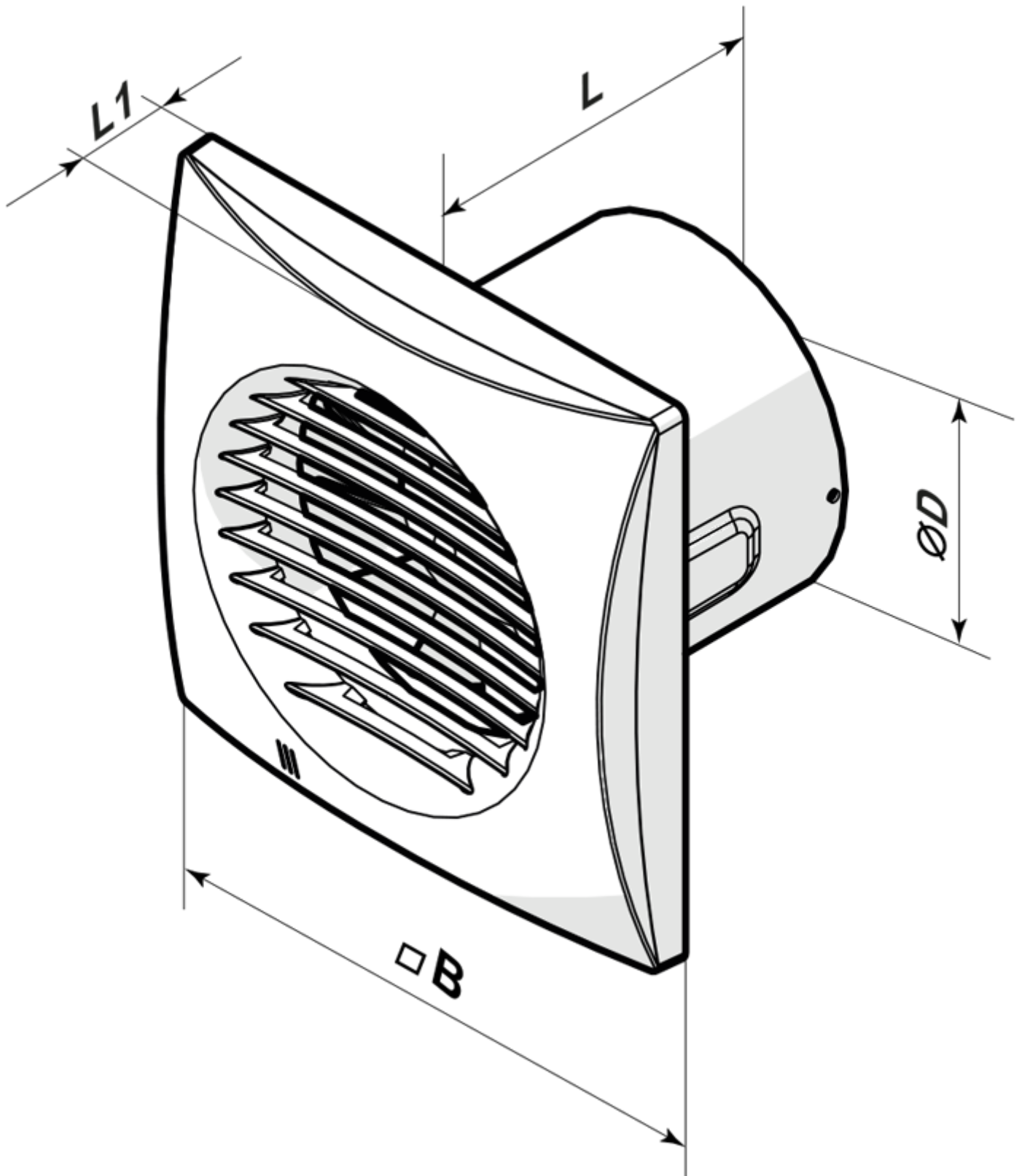
Extra quiet axial extract fans with low power consumption

- Maximum airflow: 90
- Sound pressure level LpA at 3 m: 25
- Motor type: AC
- Casing material: Polypropylene/Thermoplastic elastomer
- Backdraft protection: Backdraft damper
- Pull cord

	Unit of measurement	Quiet-Mild 100 Duo V	
Connected air duct size	mm	100	
Speed	-	2	
Minimum supply voltage	V	220	
Maximum supply voltage	V	240	
Power supply frequency	Hz	50/60	
Rated power	W	4.5	7
Unit current	A	0.029	0.052
Maximum airflow	m ³ /h	60	90
Sound pressure level LpA at 3 m	dB(A)	22	25
Weight	kg	0.55	
Ambient air temperature min	°C	1	
Ambient air temperature max	°C	45	
Ingress protection rating	-	IP45	


Dimensions

ØD	B	H	L	L1
99	158	136	81	26

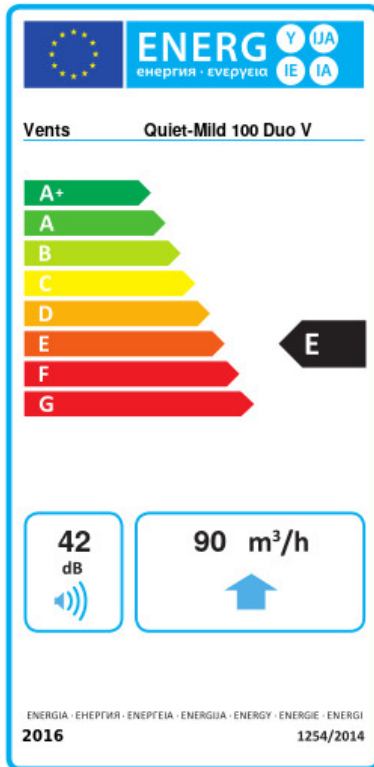


Accessories

Flanges

Name	Photo	Description
FO 100		The window flange applicable for all VENTS fans except for VKO, VKO1, iFan, Quiet, MAO, CF

Ecodesign



Trademark	Vents					
Model	Quiet-Mild 100 Duo V					
Specific energy consumption (SEC) (kWh/(m ² /a))	Cold		Average		Warm	
	-31.2	B	-14.8	E	-5.4	F
Type of ventilation unit	Unidirectional					
Type of drive installed	2-speed					
Type of heat recovery system	None					
Maximum flow rate (m ³ /h)	90					
Electric power input (W)	7					
Reference flow rate (m ³ /s)	0.017					
Specific power input (SPI) (W/(m ³ /h))	0.075					
Control typology	Manual control					
Maximum external leakage rates (%)	2.7					
Sound power level (dB(A))	42					
Declared typology	RVU UVU					
The annual electricity consumption (AEC) (kWh/a)	Cold		Average		Warm	
	94		94		94	
The annual heating saved (AHS) (kWh/a)	Cold		Average		Warm	
	3355		1715		776	