

Quiet-Mild 100 T



Axial exhaust fans Quiet-Mild feature low noise and high performance. Another feature they have is high water ingress protection rating IP45, which allows them to be installed in humid premises

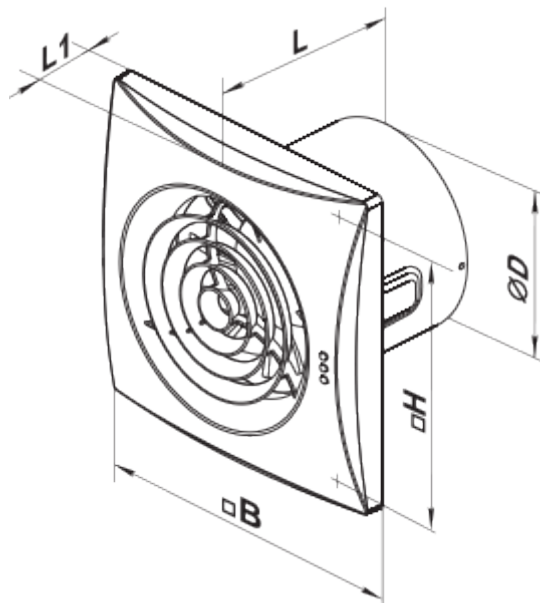
- Maximum airflow: 97
- Sound pressure level LpA at 3 m: 25
- Motor type: AC
- Casing material: Plastic
- Backdraft protection: Backdraft damper
- Timer: Turn off timer

	Unit of measurement	Quiet-Mild 100 T
Connected air duct size	mm	100
Speed	-	1
Minimum supply voltage	V	220
Maximum supply voltage	V	240
Power supply frequency	Hz	50
Rated power	W	7.5
Unit current	A	0.049
Maximum airflow	m ³ /h	97
Sound pressure level LpA at 3 m	dB(A)	25
Weight	kg	0.55
Ambient air temperature min	°C	1
Ambient air temperature max	°C	40
Ingress protection rating	-	IP45
ErP compliance	-	2016
Cold - Specific energy consumption (SEC)	kWh/(m ² /a)	34.4
SEC Class Cold	-	A
Average - Specific energy consumption (SEC)	kWh/(m ² /a)	16.4
SEC Class Average	-	E
Warm - Specific energy consumption (SEC)	kWh/(m ² /a)	6.2
SEC Class Warm	-	F
Unit category	-	RVU

Type of ventilation unit	-	Unidirectional
Type of drive installed	-	Single speed
Type of heat recovery system	-	None
Maximum flow rate	m ³ /h	97
Electric power input	W	7.5
Reference flow rate	m ³ /s	0.019
Specific power input (SPI)	W/(m ³ /h)	0.077
Control typology	-	Clock control
Maximum external leakage rates	%	2.7
Cold - The annual electricity consumption (AEC)	kWh/a	92
Average - The annual electricity consumption (AEC)	kWh/a	92
Warm - Jährlicher Stromverbrauch (JSV)	kWh/a	92
Cold - The annual heating saved (AHS)	kWh/a	3667
The annual heating saved (AHS) Average	kWh/a	1874
The annual heating saved (AHS) Warm	kWh/a	848
Sound power level	dB(A)	45
Declared typology	-	RVU UVU

Dimensions

ØD	B	H	L	L1
99	158	136	81	26



Accessories

Cooker Hoods

Name	Photo	Description
FO_100		The window flange applicable for all VENTS fans except for VKO, VKO1, iFan, Quiet, MAO, CF