

# Quiet-Mild 125 Duo



Axial exhaust fans Quiet-Mild feature low noise and high performance. Another feature they have is high water ingress protection rating IP45, which allows them to be installed in humid premises

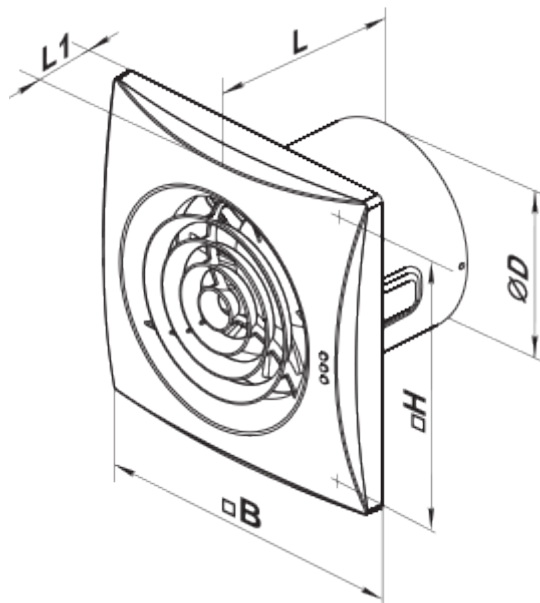
- Maximum airflow: 170
- Sound pressure level LpA at 3 m: 32
- Motor type: AC
- Casing material: Plastic
- Backdraft protection: Backdraft damper

	Unit of measurement	Quiet-Mild 125 Duo	
Connected air duct size	mm	125	
Speed	-	2	
Minimum supply voltage	V	220	
Maximum supply voltage	V	240	
Power supply frequency	Hz	50/60	
Rated power	W	9.5	13.5
Unit current	A	0.065	0.09
Maximum airflow	m <sup>3</sup> /h	145	170
Sound pressure level LpA at 3 m	dB(A)	28	32
Weight	kg	0.78	
Ambient air temperature min	°C	1	
Ambient air temperature max	°C	45	
Ingress protection rating	-	IP45	
ErP compliance	-	2016	
Cold - Specific energy consumption (SEC)	kWh/(m <sup>2</sup> /a)	31.5	
SEC Class Cold	-	B	
Average - Specific energy consumption (SEC)	kWh/(m <sup>2</sup> /a)	15.1	
SEC Class Average	-	E	
Warm - Specific energy consumption (SEC)	kWh/(m <sup>2</sup> /a)	5.7	
SEC Class Warm	-	F	
Unit category	-	RVU	

Type of ventilation unit	-	Unidirectional
Type of drive installed	-	2-speed
Type of heat recovery system	-	None
Maximum flow rate	m <sup>3</sup> /h	170
Electric power input	W	13.5
Reference flow rate	m <sup>3</sup> /s	0.04
Specific power input (SPI)	W/(m <sup>3</sup> /h)	0.066
Control typology	-	Manual control
Maximum external leakage rates	%	2.7
Cold - The annual electricity consumption (AEC)	kWh/a	82
Average - The annual electricity consumption (AEC)	kWh/a	82
Warm - Jährlicher Stromverbrauch (JSV)	kWh/a	82
Cold - The annual heating saved (AHS)	kWh/a	3355
The annual heating saved (AHS) Average	kWh/a	1715
The annual heating saved (AHS) Warm	kWh/a	776
Sound power level	dB(A)	48
Declared typology	-	RVU UVU


## Dimensions

ØD	B	H	L	L1
123.5	182	158	91	27



## Accessories

### Cooker Hoods

Name	Photo	Description
<a href="#">FO_125</a>		The window flange applicable for all VENTS fans except for VKO, VKO1, iFan, Quiet, MAO, CF