

Quiet-Mild 150 T



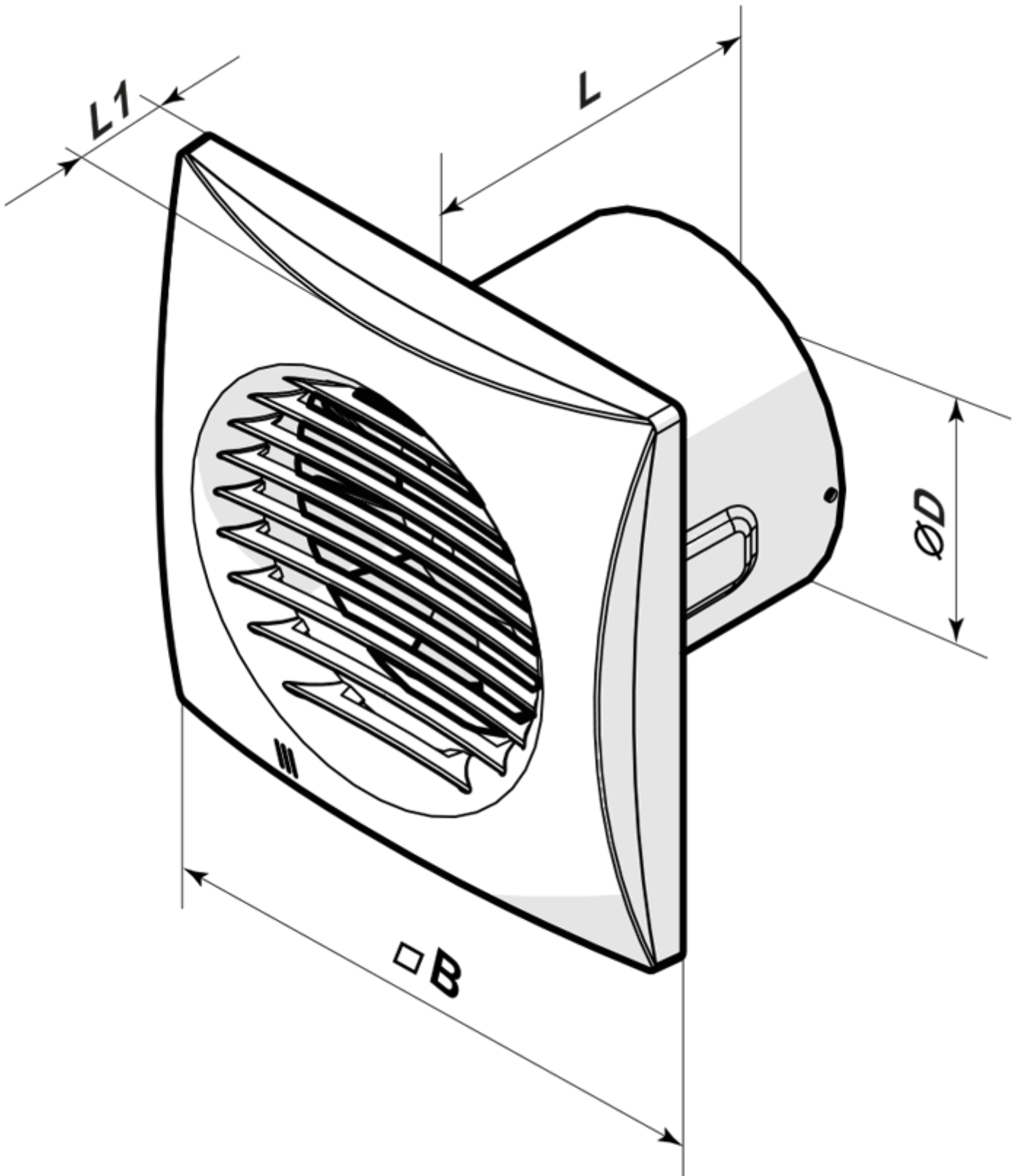
Extra quiet axial extract fans with low power consumption

- Maximum airflow: 315
- Sound pressure level LpA at 3 m: 33
- Motor type: AC
- Casing material: Plastic
- Backdraft protection: Backdraft damper
- Timer: Turn off timer

	Unit of measurement	Quiet-Mild 150 T	
Connected air duct size	mm	150	
Speed	-	2	
Minimum supply voltage	V	220	
Maximum supply voltage	V	240	
Power supply frequency	Hz	50/60	
Rated power	W	17	19
Unit current	A	0.08	0.09
Maximum airflow	m ³ /h	220	315
Sound pressure level LpA at 3 m	dB(A)	28	33
Weight	kg	1.33	
Ambient air temperature min	°C	1	
Ambient air temperature max	°C	40	
Ingress protection rating	-	IP45	

Dimensions

ØD	B	H	L	L1
147.5	214	190	111	32



Accessories

Flanges

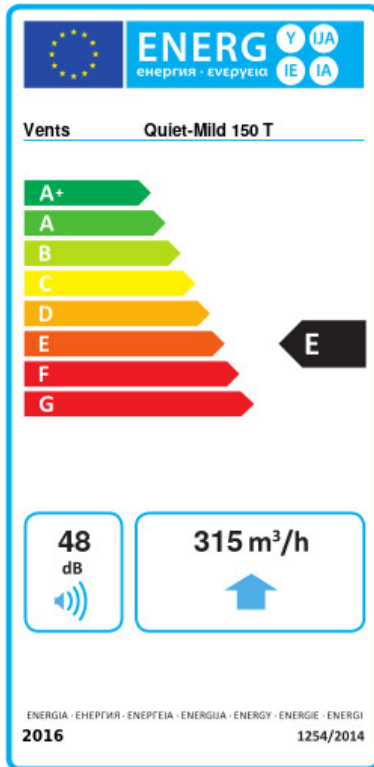
Name	Photo	Description
------	-------	-------------

[FO_150](#)



The window flange applicable for all VENTS fans except for VKO, VKO1, iFan, Quiet, MAO, CF

Ecodesign



Trademark	Vents					
Model	Quiet-Mild 150 T					
Specific energy consumption (SEC) (kWh/(m ² /a))	Cold		Average		Warm	
	-34.4	A	-16.5	E	-6.2	F
Type of ventilation unit	Unidirectional					
Type of drive installed	2-speed					
Type of heat recovery system	None					
Maximum flow rate (m ³ /h)	315					
Electric power input (W)	19					
Reference flow rate (m ³ /s)	0.061					
Specific power input (SPI) (W/(m ³ /h))	0.077					
Control typology	Clock control					
Maximum external leakage rates (%)	2.7					
Sound power level (dB(A))	48					
Declared typology	RVU UVU					
The annual electricity consumption (AEC) (kWh/a)	Cold		Average		Warm	
	91		91		91	
The annual heating saved (AHS) (kWh/a)	Cold		Average		Warm	
	3667		1874		848	