

RO 100



Axial decorative fans for exhaust ventilation

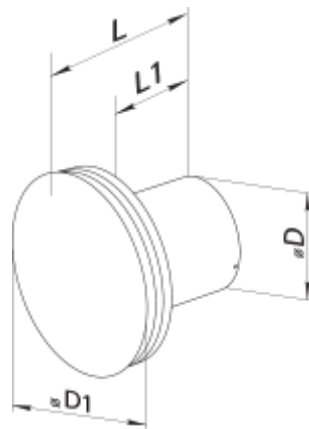
- Maximum airflow: 92
- Sound pressure level LpA at 3 m: 33
- Motor type: AC
- Casing material: Plastic
- Backdraft protection: Backdraft damper

	Unit of measurement	RO 100
Connected air duct size	mm	100
Speed	-	1
Minimum supply voltage	V	220
Maximum supply voltage	V	240
Power supply frequency	Hz	50/60
Rated power	W	14
Unit current	A	0.09
Maximum airflow	m ³ /h	92
Sound pressure level LpA at 3 m	dB(A)	33
Weight	kg	0.6
Ambient air temperature min	°C	1
Ambient air temperature max	°C	45
Ingress protection rating	-	IP24
ErP compliance	-	2016
Cold - Specific energy consumption (SEC)	kWh/(m ² /a)	28.8
SEC Class Cold	-	B
Average - Specific energy consumption (SEC)	kWh/(m ² /a)	12.4
SEC Class Average	-	E
Warm - Specific energy consumption (SEC)	kWh/(m ² /a)	3
SEC Class Warm	-	F
Unit category	-	RVU

Type of ventilation unit	-	Unidirectional
Type of drive installed	-	Single speed
Type of heat recovery system	-	None
Maximum flow rate	m ³ /h	92
Electric power input	W	14
Reference flow rate	m ³ /s	0.018
Specific power input (SPI)	W/(m ³ /h)	0.152
Control typology	-	Manual control
Maximum external leakage rates	%	2.7
Cold - The annual electricity consumption (AEC)	kWh/a	191
Average - The annual electricity consumption (AEC)	kWh/a	191
Warm - Jährlicher Stromverbrauch (JSV)	kWh/a	191
Cold - The annual heating saved (AHS)	kWh/a	3355
The annual heating saved (AHS) Average	kWh/a	1715
The annual heating saved (AHS) Warm	kWh/a	776
Sound power level	dB(A)	53
Declared typology	-	RVU UVU

Dimensions

Ø D	Ø D1	L	L1
100	172	121	88



Accessories

Cooker Hoods

Name	Photo	Description
------	-------	-------------

[FO_100](#)



The window flange applicable for all VENTS fans except for VKO, VKO1, iFan, Quiet, MAO, CF