

# RO 100 L



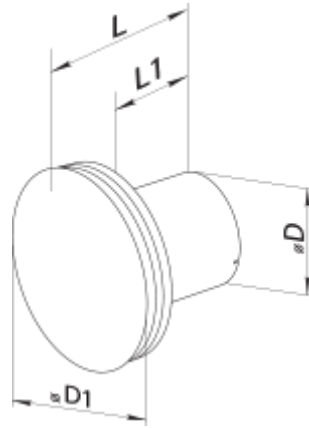
Axial decorative fans for exhaust ventilation

- Maximum airflow: 92
- Sound pressure level LpA at 3 m: 33
- Motor type: AC
- Casing material: Plastic
- Backdraft protection: Backdraft damper

	Unit of measurement	RO 100 L
Connected air duct size	mm	100
Speed	-	1
Minimum supply voltage	V	220
Maximum supply voltage	V	240
Power supply frequency	Hz	50/60
Rated power	W	14
Unit current	A	0.09
Maximum airflow	m <sup>3</sup> /h	92
Sound pressure level LpA at 3 m	dB(A)	33
Weight	kg	0.6
Ambient air temperature min	°C	1
Ambient air temperature max	°C	45
Ingress protection rating	-	IP24


## Dimensions

Ø D	Ø D1	L	L1
100	172	121	88



## Accessories

### Cooker Hoods

Name	Photo	Description
<a href="#">FO_100</a>		The window flange applicable for all VENTS fans except for VKO, VKO1, iFan, Quiet, MAO, CF