

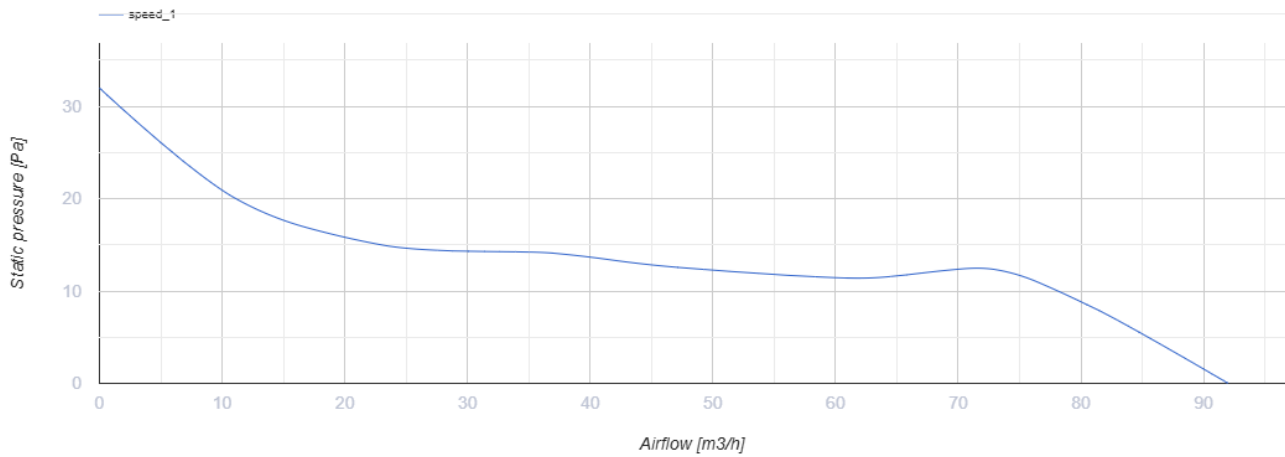
SO 100 L



Axial decorative fans for exhaust ventilation

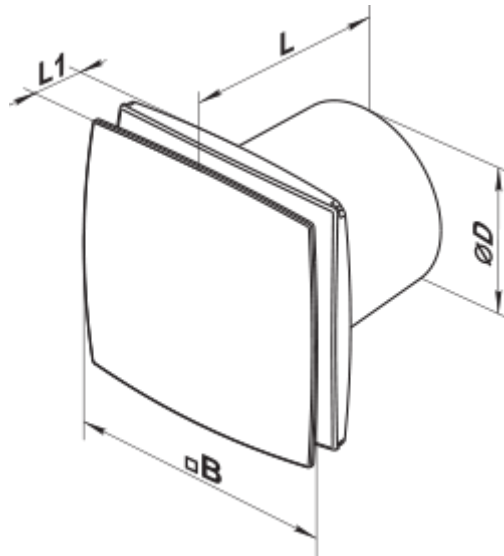
- Maximum airflow: 92
- Sound pressure level LpA at 3 m: 33
- Motor type: AC
- Casing material: Plastic
- Backdraft protection: Backdraft damper

	Unit of measurement	SO 100 L
Connected air duct size	mm	100
Speed	-	1
Minimum supply voltage	V	220
Maximum supply voltage	V	240
Power supply frequency	Hz	50/60
Rated power	W	14
Unit current	A	0.09
Maximum airflow	m ³ /h	92
Sound pressure level LpA at 3 m	dB(A)	33
Weight	kg	0.6
Ambient air temperature min	°C	1
Ambient air temperature max	°C	45
Ingress protection rating	-	IP24



Dimensions

ØD	B	L	L1
100	177	121	33



Accessories

Speed controllers

Name	Photo	Description
RS-1-300		Speed controller

Flat duct

Name	Photo	Description
------	-------	-------------

1111		Connection of same diameter air ducts
----------------------	---	---------------------------------------

Flanges

Name	Photo	Description
FO_100		The window flange applicable for all VENTS fans except for VKO, VKO1, iFan, Quiet, MAO, CF