

SO 100 V



Axial decorative fans for exhaust ventilation

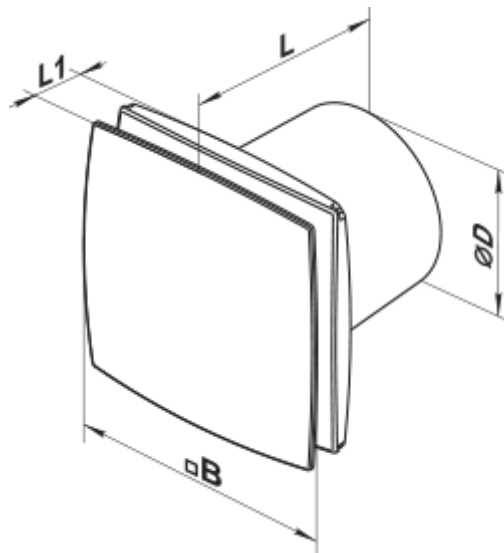
- Maximum airflow: 92
- Sound pressure level LpA at 3 m: 33
- Motor type: AC
- Casing material: Plastic
- Backdraft protection: Backdraft damper
- Pull cord

	Unit of measurement	SO 100 V
Connected air duct size	mm	100
Speed	-	1
Minimum supply voltage	V	220
Maximum supply voltage	V	240
Power supply frequency	Hz	50/60
Rated power	W	14
Unit current	A	0.09
Maximum airflow	m ³ /h	92
Sound pressure level LpA at 3 m	dB(A)	33
Weight	kg	0.6
Ambient air temperature min	°C	1
Ambient air temperature max	°C	45
Ingress protection rating	-	IP24
ErP compliance	-	2016
Cold - Specific energy consumption (SEC)	kWh/(m ² /a)	28.8
SEC Class Cold	-	B
Average - Specific energy consumption (SEC)	kWh/(m ² /a)	12.4
SEC Class Average	-	E
Warm - Specific energy consumption (SEC)	kWh/(m ² /a)	3
SEC Class Warm	-	F
Unit category	-	RVU

Type of ventilation unit	-	Unidirectional
Type of drive installed	-	Single speed
Type of heat recovery system	-	None
Maximum flow rate	m ³ /h	92
Electric power input	W	14
Reference flow rate	m ³ /s	0.018
Specific power input (SPI)	W/(m ³ /h)	0.152
Control typology	-	Manual control
Maximum external leakage rates	%	2.7
Cold - The annual electricity consumption (AEC)	kWh/a	191
Average - The annual electricity consumption (AEC)	kWh/a	191
Warm - Jährlicher Stromverbrauch (JSV)	kWh/a	191
Cold - The annual heating saved (AHS)	kWh/a	3355
The annual heating saved (AHS) Average	kWh/a	1715
The annual heating saved (AHS) Warm	kWh/a	776
Sound power level	dB(A)	53
Declared typology	-	RVU UVU

Dimensions


ØD	B	L	L1
100	177	121	33



Accessories

Speed controllers


Name	Photo	Description
------	-------	-------------

RS-1-300		Speed controller
--------------------------	---	------------------

Flat duct

Name	Photo	Description
1111		Connection of same diameter air ducts

Cooker Hoods

Name	Photo	Description
FO 100		The window flange applicable for all VENTS fans except for VKO, VKO1, iFan, Quiet, MAO, CF