

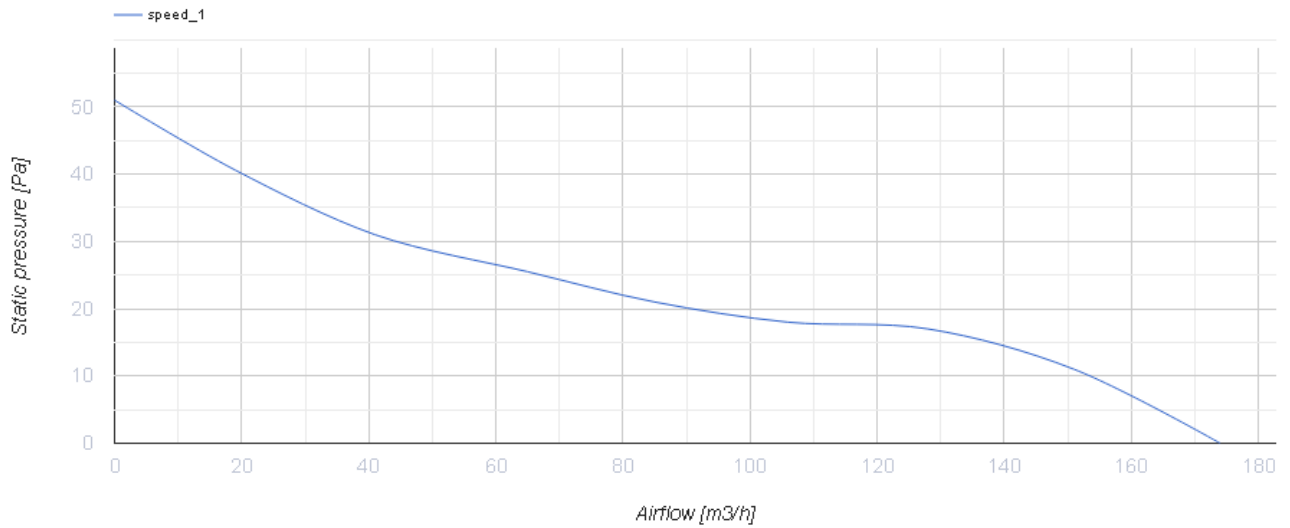
SO 125 T L



Axial decorative fans for exhaust ventilation

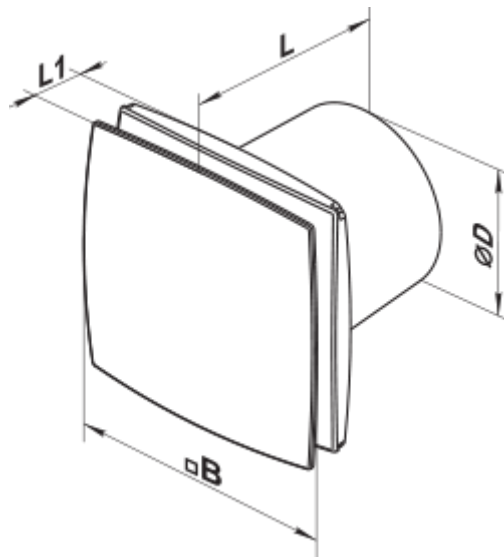
- Maximum airflow: 174
- Sound pressure level LpA at 3 m: 35
- Motor type: AC
- Casing material: Polypropylene/Thermoplastic elastomer
- Backdraft protection: Backdraft damper
- Timer: Turn off timer

	Unit of measurement	SO 125 T L
Connected air duct size	mm	125
Speed	-	1
Minimum supply voltage	V	220
Maximum supply voltage	V	240
Power supply frequency	Hz	50/60
Rated power	W	17.5
Unit current	A	0.117
Maximum airflow	m ³ /h	174
Sound pressure level LpA at 3 m	dB(A)	35
Weight	kg	0.74
Ambient air temperature min	°C	1
Ambient air temperature max	°C	45
Ingress protection rating	-	IP24



Dimensions

ØD	B	L	L1
125	177	122	34



Accessories


Speed controllers

Name	Photo	Description
RS-1-300		Speed controller

Flat duct

Name	Photo	Description
2121		Connection of same diameter air ducts

Flanges

Name	Photo	Description
FO_125		The window flange applicable for all VENTS fans except for VKO, VKO1, iFan, Quiet, MAO, CF