

# Solo RA1-60-9 R V.2



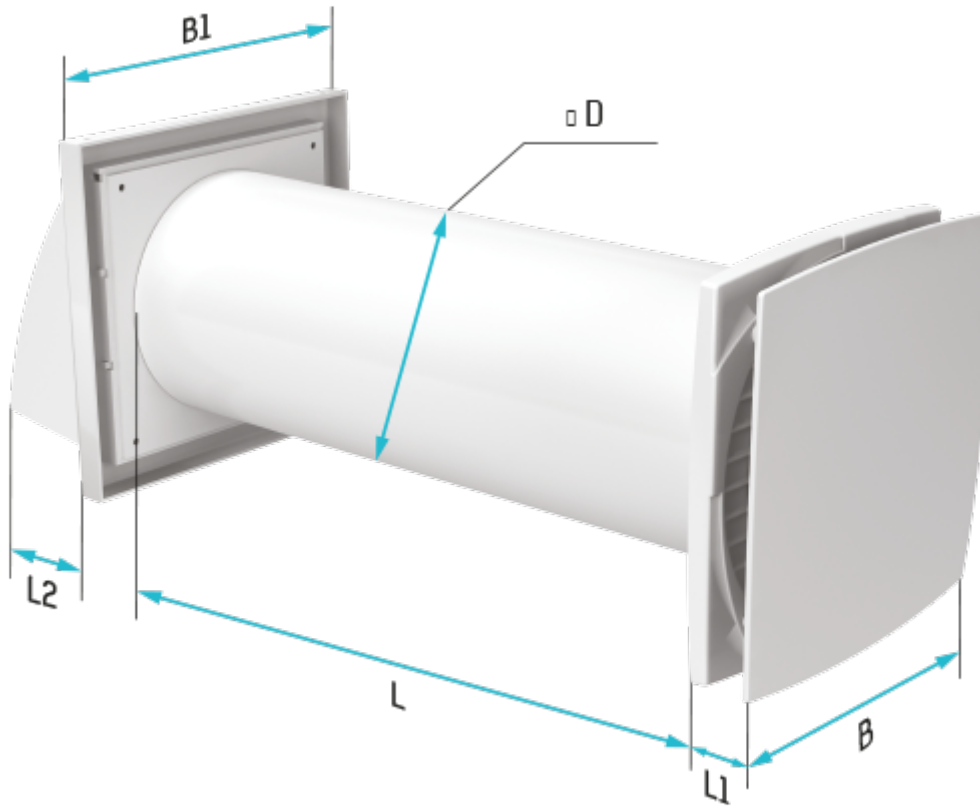
The Solo ventilator is the most suitable solution for utility rooms, closets, and cloakrooms. Low power consumption will save electricity by providing clean and fresh air to any room with area of up to 25 m<sup>2</sup>. The area is approximate and depends on the ventilation standards in your country and the model of the ventilator

- Air flow in heat recovery mode: 30
- Sound pressure level LpA at 3 m: 29
- Sound pressure level LpA at 1 m: 38
- Heat recovery efficiency: 85
- Filter: G3
- Motor type: EC
- Control: Remote Control
- Casing material: Plastic
- Humidity sensor

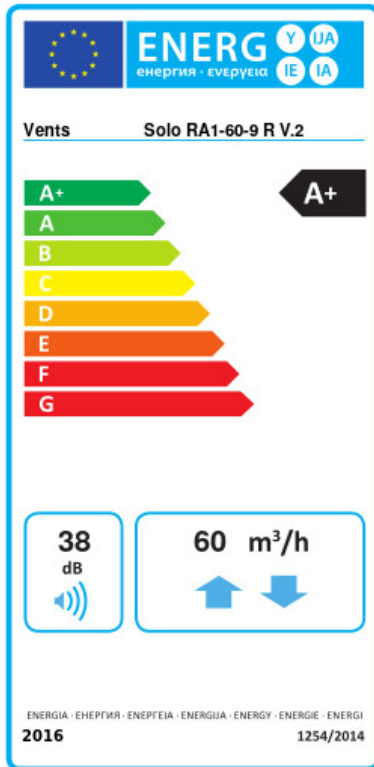
	Unit of measurement	Solo RA1-60-9 R V.2	
Speed	-	2	
Minimum supply voltage	V	220	
Maximum supply voltage	V	240	
Power supply frequency	Hz	50/60	
Rated power	W	1.10	3.20
Unit current	A	0.021	0.042
Air flow in ventilation mode	m <sup>3</sup> /h	35	60
Air flow in heat recovery mode	m <sup>3</sup> /h	18	30
Sound pressure level LpA at 3 m	dB(A)	27	29
Sound pressure level LpA at 1 m	dB(A)	27	38
Heat recovery efficiency	%	85	
Heat recovery efficiency, max	%	85	
Filter	-	G3	
Transported air temperature (max)	°C	40	
Transported air temperature (min)	°C	-15	
Ambient air temperature min	°C	1	
Ambient air temperature max	°C	40	
Ambient air humidity max	%	65	
Ingress protection rating	-	IP24	

## Dimensions

$\varnothing D$	B	B1	L	L1	L2
156	205	186	305-380	35	86



## Ecodesign



Trademark	Vents					
Model	Solo RA1-60-9 R V.2					
Specific energy consumption (SEC) (kWh/(m <sup>2</sup> /a))	Cold		Average		Warm	
	-83.6	A+	-42.4	A+	-18.8	E
Type of ventilation unit	Bidirectional					
Type of drive installed	2-speed					
Type of heat recovery system	Regenerative					
Thermal efficiency of heat recovery (%)	74					
Maximum flow rate (m <sup>3</sup> /h)	60					
Electric power input (W)	3.2					
Reference flow rate (m <sup>3</sup> /s)	0.01					
Specific power input (SPI) (W/(m <sup>3</sup> /h))	0.031					
Control typology	Local demand control					
Airflow sensitivity at +20 Pa and -20 Pa (%)	0					
Declared typology	RVU BVU					
Sound power level (dB(A))	38					
The annual electricity consumption (AEC) (kWh/a)	Cold		Average		Warm	
	26		26		26	
The annual heating saved (AHS) (kWh/a)	Cold		Average		Warm	
	84		43		19	