

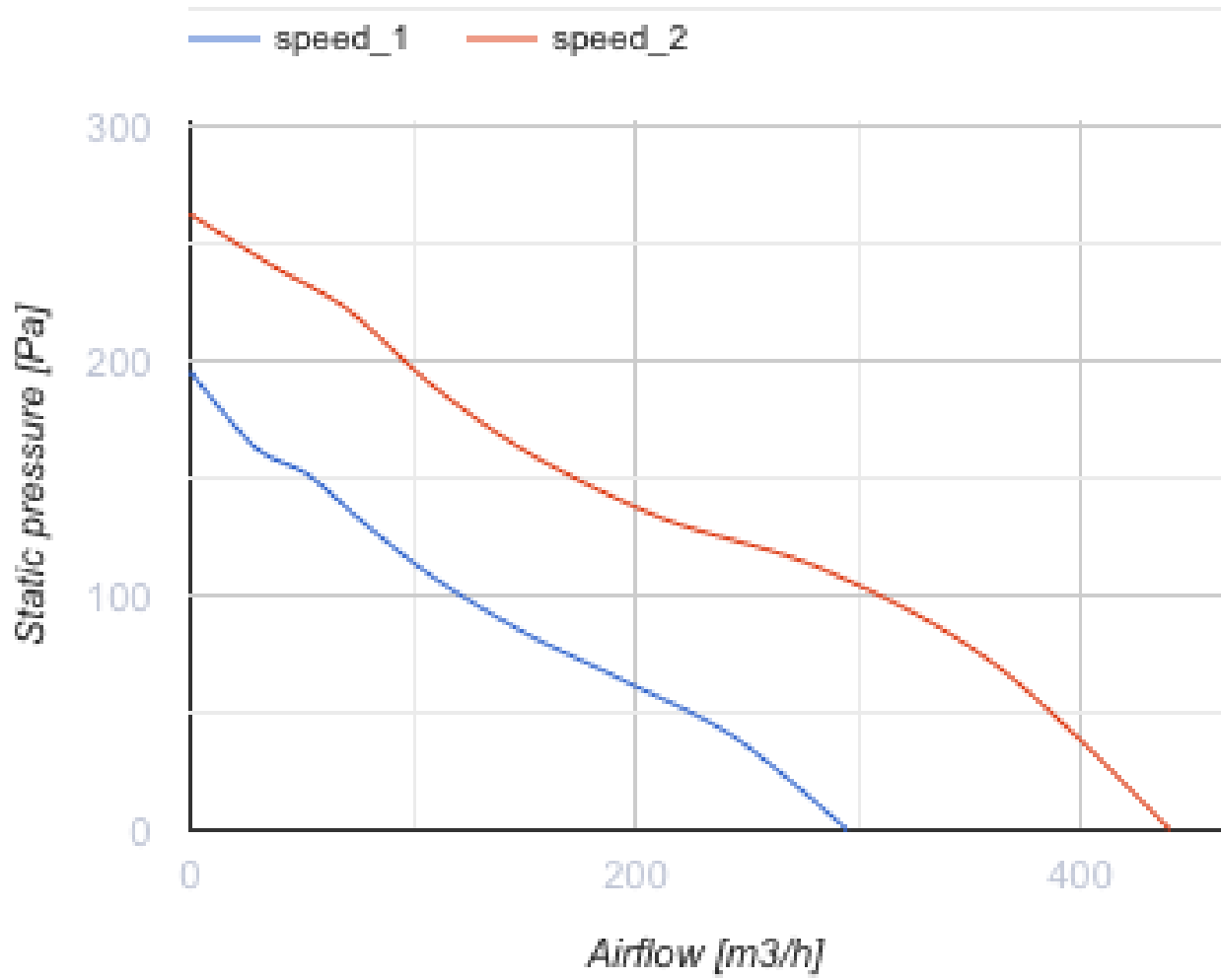
TT 125 S T



Inline mixed-flow fans

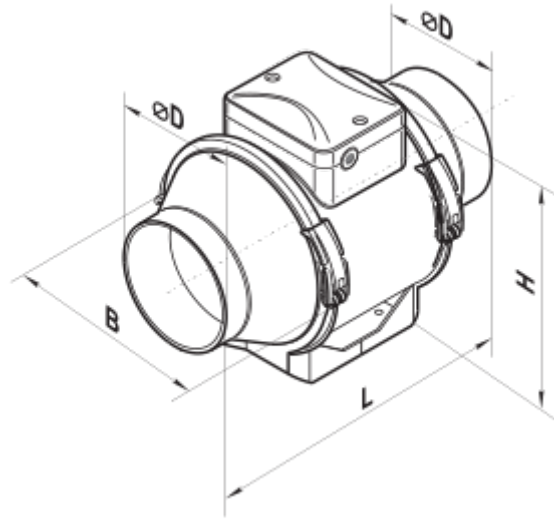
- Maximum airflow: 440
- Sound pressure level LpA at 3 m: 42
- Motor type: AC
- Impeller type: Mixed-flow
- Casing material: Plastic
- Installation in any position
- Timer: Turn off timer

	Unit of measurement	TT 125 S T	
Connected air duct size	mm	125	
Speed	-	2	
Minimum supply voltage	V	230	
Maximum supply voltage	V	230	
Power supply frequency	Hz	50/60	
Rated power	W	47	60
Unit current	A	0.21	0.27
Maximum airflow	m ³ /h	295	440
Sound pressure level LpA at 3 m	dB(A)	31	42
Weight	kg	3.14	
Transported air temperature (max)	°C	60	
Transported air temperature (min)	°C	-25	
Ingress protection rating	-	IPX4	
Ingress protection rating of the drive	-	IPX4	

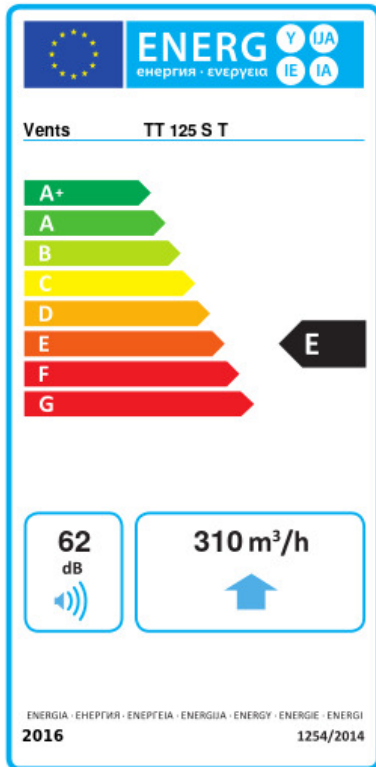


Dimensions

∅D	B	H	L
123	223	250	295



Ecodesign



Trademark	Vents		
Model	TT 125 S T		
Specific energy consumption (SEC) (kWh/(m ² /a))	Cold	Average	Warm
	-32.9 B	-15 E	-4.7 F
Type of ventilation unit	Unidirectional		
Type of drive installed	Variable speed		
Type of heat recovery system	None		
Maximum flow rate (m ³ /h)	310		
Electric power input (W)	56		
Reference flow rate (m ³ /s)	0.071		
Reference pressure difference (Pa)	50		
Specific power input (SPI) (W/(m ³ /h))	0.134		
Control typology	Clock control		
Maximum external leakage rates (%)	2.7		
Declared typology	RVU UVU		
Sound power level (dB(A))	62		
The annual electricity consumption (AEC) (kWh/a)	Cold	Average	Warm
	151	151	151
The annual heating saved (AHS) (kWh/a)	Cold	Average	Warm
	3667	1874	848